



# Westinghouse

INNOVATION YOU CAN BE SURE OF

## Spare Parts Catalogue

### WPX3400 Pressure Washer



**Power - when you need it - where you need it**

[westinghouseoutdoorpower.com.au](http://westinghouseoutdoorpower.com.au)

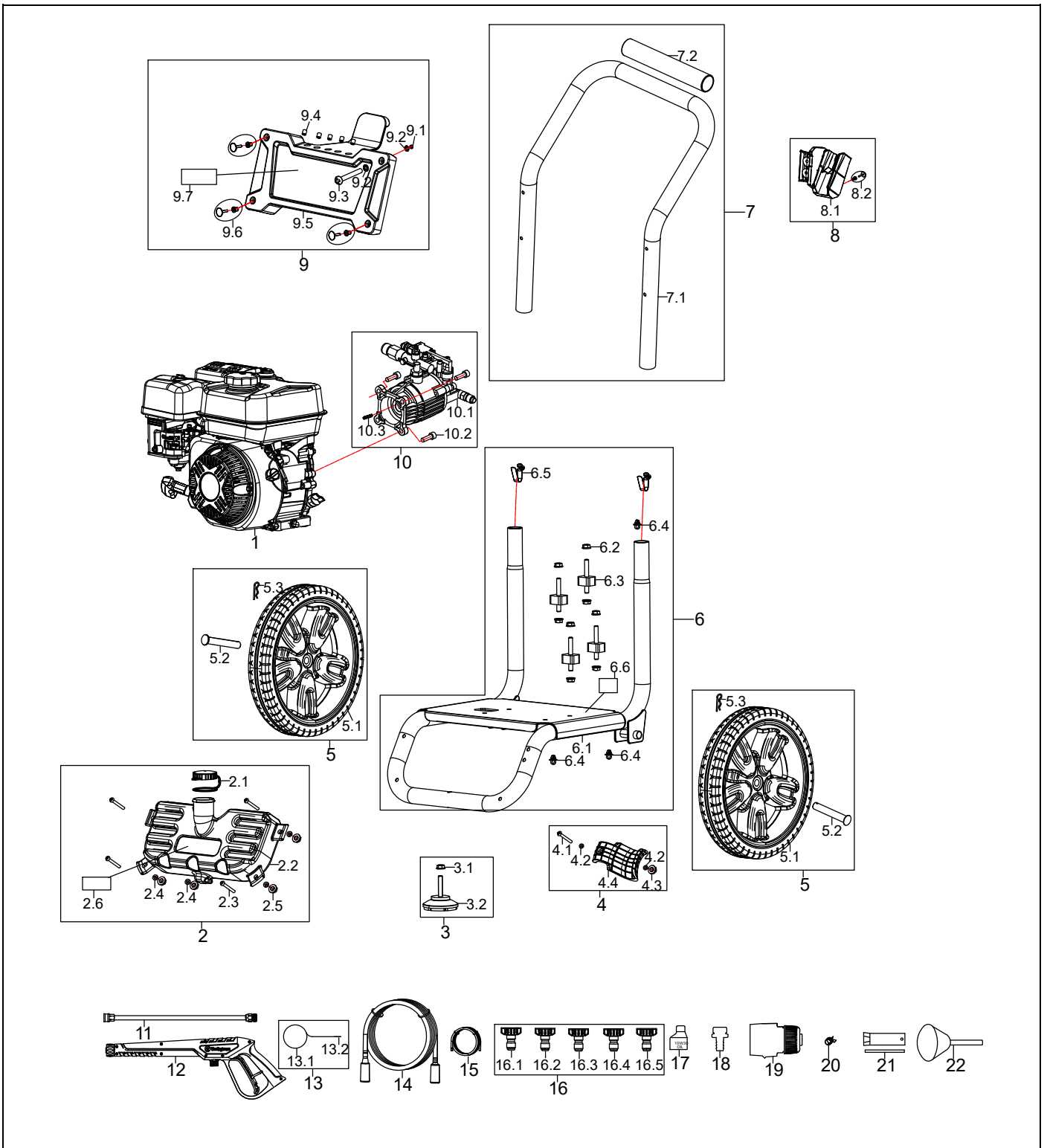


## Spare Parts

Model:	WPX3400	Parts List Revision:	934792300249EV R01 2025-04-01
First Serial Number:		Sub-Assembly:	Ancillaries
Last Serial Number:		Illustration:	510322511480001 R01 2025-04-01

Item	Description	Qty per Machine	Part Number
1	Engine DH212	1	DJ 120002120262
2	Soap Bottle Kit Assembly	1	
2.1	Soap Bottle Cap	1	DJ 814011-221
2.2	Soap Bottle	1	DJ 814032-017
2.3	Bolt M6x45	4	DJ 91860
2.4	Flat Washer	4	DJ 94220
2.5	Nut M6	4	DJ 90023
2.6	PVC Label	1	DJ 172277-1148
3	Foot Pad Assembly	1	
3.1	Nut M8	1	DJ 90039
3.2	Foot Pad	1	DJ 813008
4	Lower Gun Holder Kit Assembly	1	
4.1	Bolt M6x45	1	DJ 91860
4.2	Flat Washer	2	DJ 94220
4.3	Nut M6	1	DJ 90023
4.4	Lower Gun Holder	1	DJ 814016
5	Wheel Kit Assembly	1	
5.1	Wheel	2	DJ 812001-131
5.2	Axle	2	DJ 524408
5.3	Cotter Pin	2	DJ 816004
6	Frame Base Kit Assembly	1	
6.1	Frame Base	1	DJ 815017-206
6.2	Nut M8	8	DJ 90018
6.3	Isolation Pad	4	DJ 813042
6.4	Cable Clip	3	DJ 210801
6.5	Spring Buckle	2	DJ 816006
6.6	PVC Label	1	DJ 179479-1148
7	Frame Armrest Kit Assembly	1	
7.1	Frame Armrest	1	DJ 815466-206
7.2	Protective Gloves	1	DJ 813005-052
8	Upper Gun Holder Kit Assembly	1	
8.1	Upper Gun Holder	1	DJ 814154
8.2	Plastic Expand Screw	1	DJ 814001
9	Panel Assembly	1	
9.1	Nut M6	1	DJ 90024
9.2	Flat Washer 6x 12	2	DJ 94221
9.3	Bolt M6*50	1	DJ 91811
9.4	Nozzle Cover	5	DJ 813001
9.5	Decorative Board	1	DJ 814191-221

Item	Description	Qty per Machine	Part Number
9.6	Plastic Expand Screw	3	DJ 814001
9.7	PVC Label	1	DJ 172275-1148
10	Water Pump Kit Assembly	1	
10.1	Water Pump Assembly	1	DJ 810813
10.2	Bolt M8*20	4	DJ 91345
10.3	Crankshaft Flat Key	1	DJ 246503
11	Spray Lance	1	DJ 817110
12	Spray Gun	1	DJ 817088-219
13	Needle Kit Assembly	1	
13.1	Needle	1	DJ 816010
13.2	Needle Sheath	1	DJ 811004
14	High Pressure Pipe	1	DJ 811593
15	Liquid Suction Hose	1	DJ 811002
16	Nozzle Kit Assembly	1	
16.1	0 Degree Angle Nozzle	1	DJ 817008
16.2	25 Degree Angle Nozzle	1	DJ 817010
16.3	40 Degree Angle Nozzle	1	DJ 817011
16.4	65 Degree Angle Nozzle	1	DJ 817085
16.5	15 Degree Angle Nozzle	1	DJ 817009
17	Oil Bottle Assembly	1	DJ 99647
18	European Quick Plug	1	DJ 817090
19	European Quick Plug	1	DJ 817028
20	Clamp Assy	2	DJ 501138
21	Spark Plug Socket	1	DJ 99033
22	Funnel	1	DJ 99505



Drawing No: 510322511480001

Date: 2025-04-01

Rev: 01

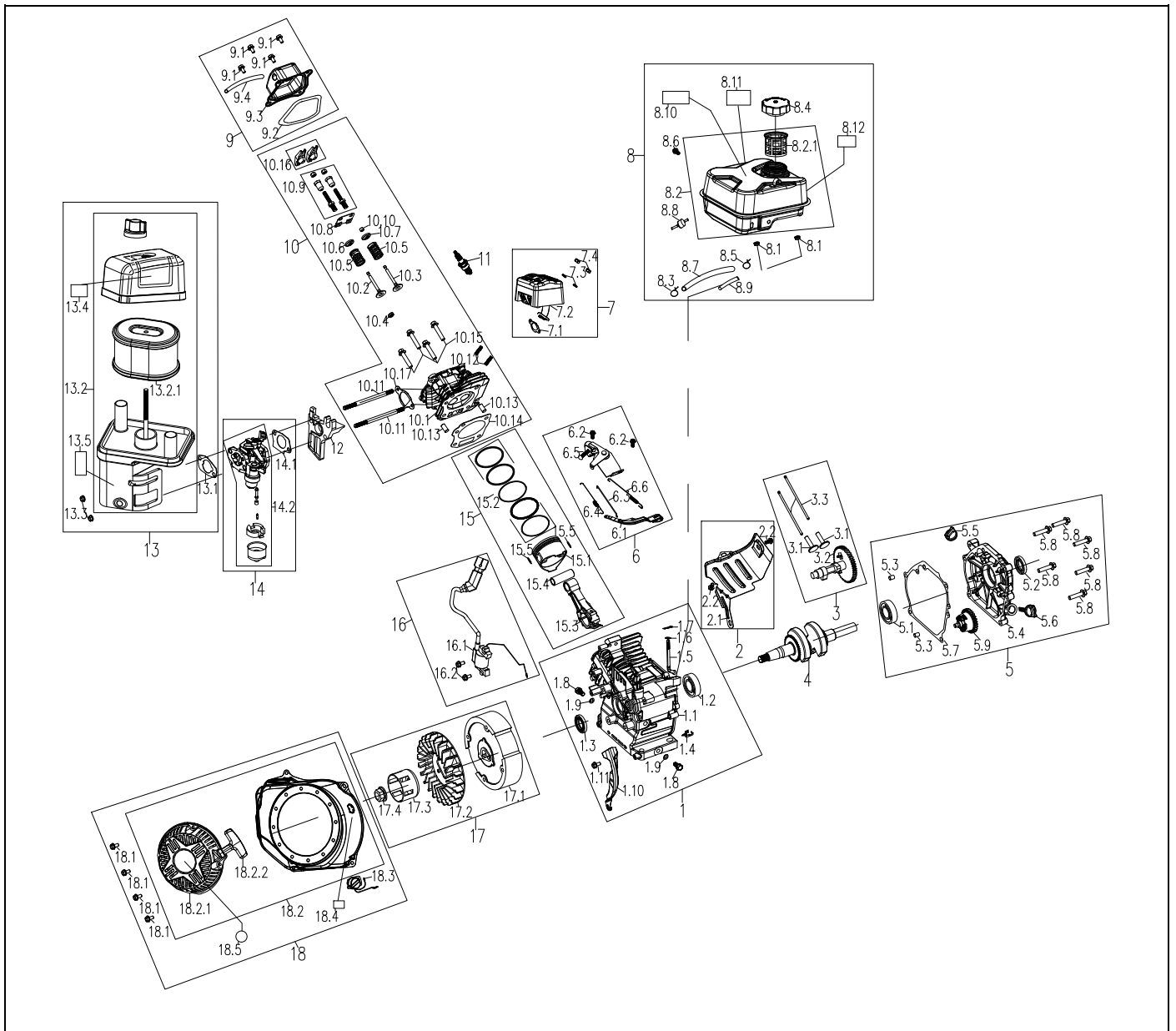
## Spare Parts

Model:	WPX3400	Parts List Revision:	1148212110412EV R01 2025-04-01
First Serial Number:		Sub-Assembly:	Powertrain
Last Serial Number:		Illustration:	120002120262 R01 2025-04-01

Item	Description	Qty per Machine	Part Number
<b>1</b>	Crankcase Kit Assembly	1	
<b>1.1</b>	Crankcase	1	DJ 240211
<b>1.2</b>	Bearing	1	DJ 93009
<b>1.3</b>	Crankcase Oil Seal	1	DJ 93507
<b>1.4</b>	Cable Clip	1	DJ 240802
<b>1.5</b>	Swinging Rod	1	DJ 243901
<b>1.6</b>	Swinging Rod Gasket	1	DJ 96804
<b>1.7</b>	Retaining Clip	1	DJ 243902
<b>1.8</b>	Oil Drain Bolt	2	DJ 91816
<b>1.9</b>	Oil Drain Bolt Washer	2	DJ 94007
<b>1.10</b>	Windshield Welding Kit Assembly	1	DJ 245703
<b>1.11</b>	Bolt M6*20	1	DJ 91330
<b>2</b>	Wind-Lead-Cover Kit Assembly	1	
<b>2.1</b>	Wind-Lead-Cover	1	DJ 240501
<b>2.2</b>	Bolt M6*12	2	DJ 91325
<b>3</b>	Camshaft Kit Assembly	1	
<b>3.1</b>	Valve Lifter	2	DJ 246102
<b>3.2</b>	Camshaft Assembly	1	DJ 242003
<b>3.3</b>	Push Rod	2	DJ 241901
<b>4</b>	Crankshaft Assembly	1	DJ 240346
<b>5</b>	Crankcase Cover Kit Assembly	1	
<b>5.1</b>	Bearing	1	DJ 93009
<b>5.2</b>	Crankcase Oil Seal	1	DJ 93507
<b>5.3</b>	Crankcase Locating Pin	2	DJ 240904
<b>5.4</b>	Crankcase Cover	1	DJ 240104
<b>5.5</b>	Oil Plug	1	DJ 241401-243
<b>5.6</b>	Dipstick	1	DJ 245601-243
<b>5.7</b>	Crankcase Gasket	1	DJ 96041
<b>5.8</b>	Bolt M8*30	6	DJ 91347
<b>5.9</b>	Centrifugal Governor Gear Assembly	1	DJ 244302
<b>6</b>	Speed Governor Kit Assembly	1	
<b>6.1</b>	Speed Regulating Arm	1	DJ 244001
<b>6.2</b>	Bolt M6*12	2	DJ 91325
<b>6.3</b>	Throttle Lever	1	DJ 242701
<b>6.4</b>	Spring C	1	DJ 244201
<b>6.5</b>	Speed Controller	1	DJ 244406
<b>6.6</b>	Spring B	1	DJ 244103
<b>7</b>	Exhaust Muffler Kit Assembly	1	

Item	Description	Qty per Machine	Part Number
7.1	Exhaust Gasket	1	DJ 96054
7.2	Exhaust Muffler Assembly	1	DJ 243768
7.3	Spring Washer	2	DJ 94206
7.4	Nut M8	2	DJ 90011
8	Fuel Tank Kit Assembly	1	
8.1	Nut M6	2	DJ 90016
8.2	Fuel Tank Assembly	1	DJ 240288-116
8.2.1	Fuel Tank Filter	1	DJ 5989
8.3	Fuel Line Clamp	1	DJ 94403
8.4	Fuel Tank Cap Assembly	1	DJ 243611
8.5	Fuel Line Clamp	1	DJ 94404
8.6	Bolt M6*28	1	DJ 91333
8.7	Fuel Line	1	DJ 95446
8.8	Fuel Filter	1	DJ 2065
8.9	Fuel Line Rubber Sleeve	1	DJ 94483
8.10	PVC Label	1	DJ 179481-1148
8.11	PVC Label	1	DJ 172278-1148
8.12	Easy Start Pvc Label	1	DJ 179480-1148
9	Cylinder Head Cover Kit Assembly	1	
9.1	Bolt M6*12	4	DJ 91325
9.2	Cylinder Head Cover Gasket	1	DJ 96045
9.3	Cylinder Head Cover	1	DJ 241111
9.4	Exhaust Pipe	1	DJ 95689
10	Cylinder Head Kit Assembly	1	
10.1	Cylinder Head	1	DJ 241011
10.2	Intake Valve	1	DJ 241704
10.3	Exhaust Valve	1	DJ 245904
10.4	Intake Valve Spring Lower Seat	1	DJ 241806
10.5	Valve Spring	2	DJ 246001
10.6	Intake Valve Spring Seat	1	DJ 241801
10.7	Exhaust Valve Spring Seat	1	DJ 241802
10.8	Valve Retainer Assembly	1	DJ 242202
10.9	Rocking Arm with Tight Bolt Assembly	2	DJ 91818
10.10	Top Cap	1	DJ 241804
10.11	Air Inlet Stud Bolt	2	DJ 91006
10.12	Air Exhaust Stud Bolt	2	DJ 91007
10.13	Cylinder Head Locating Pin	2	DJ 240905
10.14	Cylinder Head Gasket	1	DJ 96058
10.15	Bolt M8*60	4	DJ 91359
10.16	Rocking Arm	2	DJ 242101
10.17	Intake Gasket	1	DJ 96047
11	Spark Plug	1	DJ 97132
12	Carburettor Connection Block	1	DJ 242301
13	Air Filter Kit Assembly	1	

Item	Description	Qty per Machine	Part Number
13.1	Steel Washer	1	DJ 94229
13.2	Air Filter Assembly	1	DJ 242936
13.2.1	Air Filter	1	DJ 5322
13.3	Nut M6	2	DJ 90030
13.4	PVC Label	1	DJ 179475-1148
13.5	PVC Label	1	DJ 179476-1148
14	Carburettor Kit Assembly	1	
14.1	Carburettor Assembly	1	DJ 242820-243
14.2	Carburettor Gasket	1	DJ 96051
15	Piston & Piston Ring Kit Assembly	1	
15.1	Piston	1	DJ 241208
15.2	Piston Ring Assembly	1	DJ 241606
15.3	Connecting Rod Assembly	1	DJ 241503
15.4	Piston Pin	1	DJ 245503
15.5	Piston Pin Ring	2	DJ 241301
16	Igniter Kit Assembly	1	
16.1	Igniter Assembly	1	DJ 97516
16.2	Bolt M6*25	2	DJ 91331
17	Flywheel Kit Assembly	1	
17.1	Flywheel Assembly	1	DJ 240401
17.2	Impeller	1	DJ 244601
17.3	Starter Pulley	1	DJ 244502
17.4	Nut M14*1.5	1	DJ 90003
18	Recoil Starter Kit Assembly	1	
18.1	Bolt M6*12	4	DJ 91325
18.2	Recoil Starter Assembly	1	DJ 244791-221E
18.2.1	Start Puller (Recoil Cover)	1	DJ 5980-116
18.2.2	Recoil Handle	1	DJ 5914-243
18.3	Engine Switch	1	DJ 245205-243
18.4	PVC Label	1	DJ 179482-1148
18.5	PVC Label	1	DJ 173176-1148



Drawing No: 120002120262

Date: 2025-04-01

Rev: 01