



## Spare Parts Catalogue

### WHXC8500E V1 Portable Generator



[westinghouseoutdoorpower.com.au](http://westinghouseoutdoorpower.com.au)

Powering People Since 1886.

## Spare Parts

Model:	WHXC8500E	Parts List Revision:	2023-10-17
First Serial Number:	10691A0513109800001	Sub-Assembly:	Main
Last Serial Number:	10691A0516129999999	Illustration:	WHXC8500E-Main R00 2014-07-24

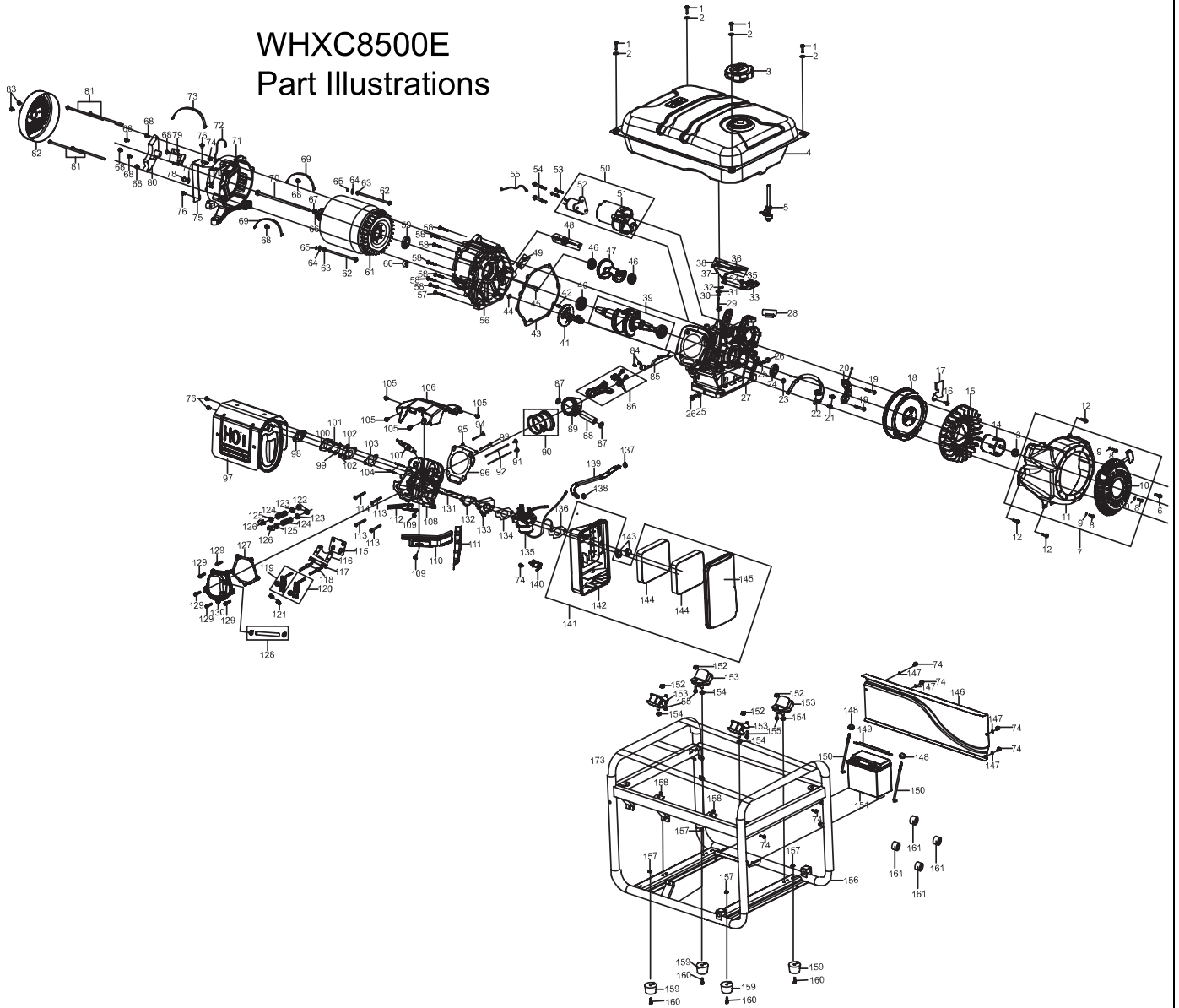
Item	Description	Qty per Machine	Part Number
1	Bolt M6x28	4	ZN 150026
2	Washer 6.5IDx25ODx2	4	ZN 150027
3	Cap - Fuel Tank	1	ZN 150103
4	Fuel Tank 25L Blue	1	ZN 150042
4.1	Fuel Gauge (Superseded by ZN 300276)	1	ZN 150006
4.1a	Fuel Gauge	1	ZN 300276
4.2	Gasket - Fuel Gauge	1	ZN 150007
4.3	Fuel Strainer	1	ZN 150009
5	Valve - Fuel Shut Off	1	ZN 150013
6	Bolt M6x16	1	ZN 110143
7	Recoil Starter Assembly	1	
8	Bolt M6x8	3	
9	Washer M6	3	
10	Recoil Starter	1	ZN 170011
11	Blower Housing	1	
12	Bolt M6x12	3	ZN 110019
13	Nut M16x1.5	1	
14	Starter Cup	1	
15	Cooling Fan	1	
16	Bolt M6x8	1	
17	Wire Plate	1	
18	Flywheel	1	
19	Bolt M6x30	2	
20	Charging Coil	1	ZN 180206
21	Bolt	2	
22	Ignition Module	1	ZN 180223
23	Bush 8IDx12ODx8	1	
24	Oil Seal 35IDx52ODx7	1	ZN 180309
25	Washer 12IDx20ODx2	2	
26	Drain Bolt M12x1.5x15	2	
27	Crankcase	1	
28	Clamp	1	
29	Governor Gear Shaft	1	
30	Washer 8IDx20ODx0.8	1	
31	Oil Seal 8IDx14ODx4	1	ZN 180027
32	Cotter Pin	1	
33	Governor Gear Bracket Assembly	1	ZN 180029
34	Bolt M8x14	2	
35	Idle Spring	1	ZN 180032

Item	Description	Qty per Machine	Part Number
36	Throttle Linkage	1	ZN 180034
37	Governor Spring	1	ZN 180229
38	Governor Lever	1	ZN 180231
39	Crankshaft	1	
40	Bearing 6207	1	
41	Camshaft	1	
42	Dowel Pin 7Dx14	1	
43	Gasket - Crankcase Cover	1	
44	Washer 16IDx24ODx0.3	1	
45	Dowel Pin 9Dx12	1	
46	Bearing 6202-P6	2	
47	Balance Shaft	1	
48	Governor Gear	1	
49	Dipstick Assembly	1	ZN 180301
50	Electric Starter Assembly	1	
51	Electric Starter	1	ZN 170015
52	Electric Starter Relay	1	ZN 170016
53	Bolt M5x14	2	ZN 120013
54	Motor Bolt	2	ZN 170017
55	Positive Battery Cable	1	ZN 170018
56	Crankcase Cover - Left	1	
57	Bolt M8x45	1	
58	Bolt M8x38	7	
59	Oil Seal 35IDx52ODx7	1	ZN 180319
60	Crankcase Sealing Rubber Plug	1	
61	Alternator Assembly	1	ZN 120034
62	Bolt M5x229	2	
63	Stator Nut	2	
64	Washer M5	2	
65	Washer M5	2	
66	Washer M10	1	
67	Washer M10	1	
68	Bolt M5x14	8	
69	Tape L=85mm	2	
70	Bolt M10x1.25x280	1	ZN 110125
71	Bracket	1	
72	Negative Battery Cable	1	ZN 120028
73	Tape L=150mm	1	
74	Bolt M6x12	8	ZN 110126
75	Muffler Installing Plate Support	1	ZN 110127
76	Bolt M8x16	4	
77	Washer M6	1	
78	Washer M6	1	
79	Carbon Brush	1	ZN 120022
80	Voltage Regulator (Superseded by ZN 300271)	1	ZN 120023

Item	Description	Qty per Machine	Part Number
80a	Digital Voltage Regulator	1	ZN 300271
81	Bolt M6x194	4	
82	End Cover	1	
83	Bolt M5x14	2	
84	Bolt M6x16	2	
85	Oil Sensor	1	ZN 180468
86	Connecting Rod	1	
87	Circlip - Piston Pin	2	
88	Piston Pin	1	
89	Piston	1	
90	Piston Ring Set	1	
91	Tappet	2	
92	Push Rod	2	
93	Intake Valve	1	
94	Exhaust Valve	1	
95	Dowel Pin 12Dx20	2	
96	Gasket - Cylinder Head	1	ZN 180094
97	Muffler	1	ZN 110129
98	Gasket - Exhaust Pipe	1	ZN 110142
99	Bolt M8x32	2	
100	Exhaust Pipe	1	
101	Washer M8	2	
102	Nut M8	2	
103	Gasket - Exhaust Pipe	1	ZN 110014
104	Stud M8x35	2	
105	Bolt M6x16	4	
106	Cylinder Head Shield	1	
107	Spark Plug	1	ZN 180099
108	Cylinder Head	1	
109	Bolt M6x12	2	
110	Shroud	1	
111	Shroud	1	
112	Shroud	1	
113	Bolt M10x1.25x87	3	
114	Bolt M10x1.25x65	1	
115	Rocker Arm Base	1	
116	Rocker Mount	1	
117	Rocker Arm Shaft	1	
118	Rocker Arm Positioning Bolt	2	
119	Rocker Arm Assembly	1	
120	Rocker Arm Assembly	1	
121	Nut M6	2	
122	Intake Valve Seal	2	
123	Valve Spring Seat	2	
124	Valve Spring	2	

Item	Description	Qty per Machine	Part Number
125	Valve Spring Seat	2	
126	Valve Collet	4	
127	Gasket - Valve Cover	1	ZN 180298
128	Vent Hose	1	ZN 180346
129	Bolt M6x16	5	
130	Cylinder Head Cover	1	
131	Stud M6-8x110	2	
132	Gasket - Carburettor Insulator	1	ZN 140015
133	Carburettor Insulator	1	ZN 140016
134	Carburettor Gasket	1	ZN 140017
135	Carburettor	1	ZN 140022
135.1	Carburettor Seal O-Ring	1	ZN 140037
135.2	Carburettor Fibre Washer - Assembly	1	ZN 140038
135.3	Carburettor Fibre Washer - Drain	1	ZN 140039
136	Gasket - Air Filter	1	ZN 160044
137	Clamp - Fuel Hose	1	ZN 150034
138	Clamp - Fuel Hose	1	ZN 150016
139	Fuel Hose	1	ZN 150018
140	Air Filter Support	1	
141	Air Filter Assembly	1	ZN 160029
142	Air Filter Base	1	
143	Nut M6	2	
144	Air Filter Element	2	ZN 160030
145	Air Filter Cover	1	
146	Control Panel	1	ZN 130027
147	Gasket	4	
148	Nut M6	2	
149	Storage Battery Base Plate	1	
150	Storage Battery Fixed Bolt	2	
151	Battery	1	ZN 100024
152	Nut M10x1.25	4	
153	Shock Mount	4	ZN 100136
154	Nut M8	4	ZN 100098
155	Bolt M10x1.25x40	4	
156	Frame Assembly	1	ZN 100091
157	Nut M6	4	
158	Shock Mount	2	
159	Rubber Foot	4	
160	Bolt M6x12	4	
161	Plug	4	
162	Engine Complete 420cc	1	ZN 180139

# WHXC8500E Part Illustrations



Drawing No: WHXC8500E-Main

Date: 2014-07-24

Rev: 00

## Spare Parts

Model:	WHXC8500E	Parts List Revision:	2023-10-17
First Serial Number:	10691A0513109800001	Sub-Assembly:	Control Panel
Last Serial Number:	10691A0516129999999	Illustration:	WHXC8500E-Panel R00 2014-07-24

Item	Description	Qty per Machine	Part Number
1	240 V AC, 15 A, IP44 Socket Outlet	2	ZN 130033
2	VFT Meter	1	ZN 130031
2a	VFT Meter (2016 and onwards)	1	ZN 130144
3	10 A DC Circuit Breaker	1	ZN 130046
4	DC Circuit Breaker Cover	1	ZN 130050
5	Oil Alert Amplifier	1	ZN 130047
6	Rocker Start Switch	1	ZN 130006
7	Rocker Switch Cover	1	ZN 130048
8	12 V DC, IP44 Outlet	1	ZN 130045
9	30 A AC Circuit Breaker (Superseded by ZN 130191)	1	ZN 130090
9a	29 A AC Circuit Breaker	1	ZN 130191
9b	29 A AC Circuit Breaker 2P (2018 May and onwards)	1	ZN 300275
10	15 A AC Circuit Breaker (Superseded by ZN 130189:WHXC5000; ZN 130190:WHXC7000/8500E/8500E-PRO)	2	ZN 130091
10a	20 A AC Circuit Breaker	2	ZN 130190
11	AC Circuit Breaker Cover	3	ZN 130049

