



## Spare Parts Catalogue

### WHXC8500E-PRO V1 Portable Generator



[westinghouseoutdoorpower.com.au](http://westinghouseoutdoorpower.com.au)

Powering People Since 1886.

## Spare Parts

Model:	WHXC8500E-PRO	Parts List Revision:	2023-10-17
First Serial Number:	10692A0513109800001	Sub-Assembly:	Main
Last Serial Number:	10692A0721MWE-162100040	Illustration:	WHXC8500E-PRO-Main R00 2014-07-24

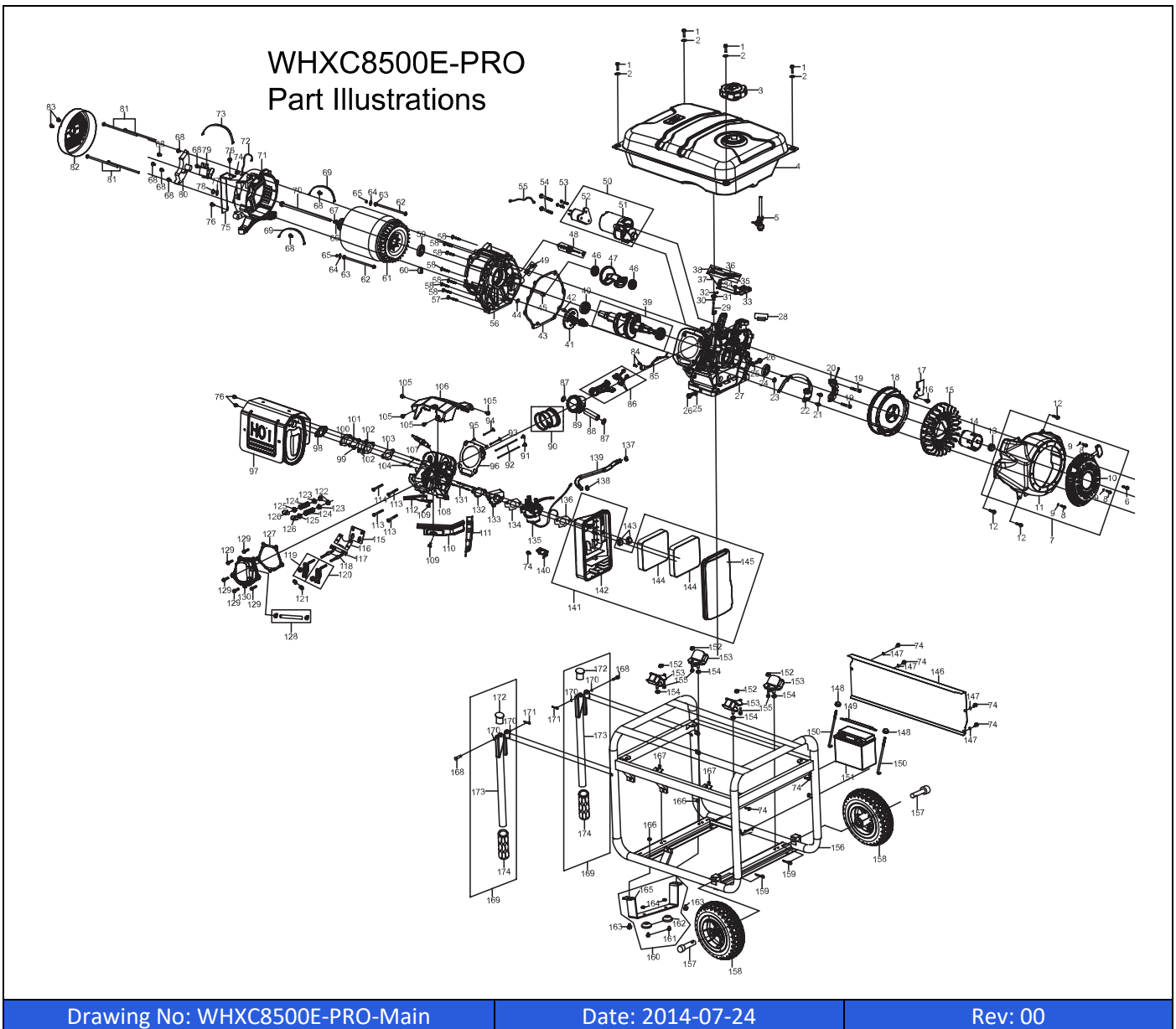
Item	Description	Qty per Machine	Part Number
1	Bolt M6x28	4	ZN 150026
2	Washer 6.5IDx25ODx2	4	ZN 150027
3	Cap - Fuel Tank	1	ZN 150103
4	Fuel Tank 25L Blue	1	ZN 150042
4.1	Fuel Gauge (Superseded by ZN 300276)	1	ZN 150006
4.1a	Fuel Gauge	1	ZN 300276
4.2	Gasket - Fuel Gauge	1	ZN 150007
4.3	Fuel Strainer	1	ZN 150009
5	Valve - Fuel Shut Off	1	ZN 150013
6	Bolt M6x16	1	ZN 110143
7	Recoil Starter Assembly	1	
8	Bolt M6x10	3	
9	Washer M6	3	
10	Recoil Starter	1	ZN 170011
11	Blower Housing	1	
12	Bolt M6x12	3	ZN 110019
13	Nut M16x1.5	1	
14	Starter Cup	1	
15	Cooling Fan	1	
16	Bolt M6x8	1	
17	Wire Plate	1	
18	Flywheel	1	
19	Bolt M6x30	2	
20	Charging Coil	1	ZN 180206
21	Bolt	2	
22	Ignition Module	1	ZN 180223
23	Bush 8IDx12ODx8	1	
24	Oil Seal 35IDx52ODx7	1	ZN 180309
25	Washer 12IDx20ODx2	2	
26	Drain Bolt M12x1.5x15	2	
27	Crankcase	1	
28	Clamp	1	
29	Governor Gear Shaft	1	
30	Washer 8IDx20ODx0.8	1	
31	Oil Seal 8IDx14ODx4	1	ZN 180027
32	Cotter Pin	1	
33	Governor Gear Bracket Assembly	1	ZN 180029
34	Bolt M8x14	2	
35	Idle Spring	1	ZN 180032

Item	Description	Qty per Machine	Part Number
36	Throttle Linkage	1	ZN 180034
37	Governor Spring	1	ZN 180229
38	Governor Lever	1	ZN 180231
39	Crankshaft	1	
40	Bearing 6207	1	
41	Camshaft	1	
42	Dowel Pin 7Dx14	1	
43	Gasket - Crankcase Cover	1	
44	Washer 16IDx24ODx0.3	1	
45	Dowel Pin 9Dx12	1	
46	Bearing 6202-P6	2	
47	Balance Shaft	1	
48	Governor Gear	1	
49	Dipstick Assembly	1	ZN 180301
50	Electric Starter Assembly	1	
51	Electric Starter	1	ZN 170015
52	Electric Starter Relay	1	ZN 170016
53	Bolt M5x14	2	ZN 120013
54	Motor Bolt	2	ZN 170017
55	Positive Battery Cable	1	ZN 170018
56	Crankcase Cover - Left	1	
57	Bolt M8x45	1	
58	Bolt M8x38	7	
59	Oil Seal 35IDx52ODx7	1	ZN 180319
60	Crankcase Sealing Rubber Plug	1	
61	Alternator Assembly	1	ZN 120034
62	Bolt M5x229	2	
63	Stator Nut	2	
64	Washer M5	2	
65	Washer M5	2	
66	Washer M10	1	
67	Washer M10	1	
68	Bolt M5x14	8	
69	Tape L=85mm	2	
70	Bolt M10x1.25x280	1	ZN 110125
71	Bracket	1	
72	Negative Battery Cable	1	ZN 120028
73	Tape L=150mm	1	
74	Bolt M6x12	8	ZN 110126
75	Muffler Installing Plate Support	1	ZN 110127
76	Bolt M8x16	4	
77	Washer M6	1	
78	Washer M6	1	
79	Carbon Brush	1	ZN 120022
80	Voltage Regulator (Superseded by ZN 300271)	1	ZN 120023

Item	Description	Qty per Machine	Part Number
<b>80a</b>	Digital Voltage Regulator	1	ZN 300271
<b>81</b>	Bolt M6x194	4	
<b>82</b>	End Cover	1	
<b>83</b>	Bolt M5x14	2	
<b>84</b>	Bolt M6x16	2	
<b>85</b>	Oil Sensor	1	ZN 180468
<b>86</b>	Connecting Rod	1	
<b>87</b>	Circlip - Piston Pin	2	
<b>88</b>	Piston Pin	1	
<b>89</b>	Piston	1	
<b>90</b>	Piston Ring Set	1	
<b>91</b>	Tappet	2	
<b>92</b>	Push Rod	2	
<b>93</b>	Intake Valve	1	
<b>94</b>	Exhaust Valve	1	
<b>95</b>	Dowel Pin 12Dx20	2	
<b>96</b>	Gasket - Cylinder Head	1	ZN 180094
<b>97</b>	Muffler	1	ZN 110129
<b>98</b>	Gasket - Exhaust Pipe	1	ZN 110142
<b>99</b>	Bolt M8x32	2	
<b>100</b>	Exhaust Pipe	1	
<b>101</b>	Washer M8	2	
<b>102</b>	Nut M8	2	
<b>103</b>	Gasket - Exhaust Pipe	1	ZN 110014
<b>104</b>	Stud M8x35	2	
<b>105</b>	Bolt M6x16	4	
<b>106</b>	Cylinder Head Shield	1	
<b>107</b>	Spark Plug	1	ZN 180099
<b>108</b>	Cylinder Head	1	
<b>109</b>	Bolt M6x12	2	
<b>110</b>	Shroud	1	
<b>111</b>	Shroud	1	
<b>112</b>	Shroud	1	
<b>113</b>	Bolt M10x1.25x87	3	
<b>114</b>	Bolt M10x1.25x65	1	
<b>115</b>	Rocker Arm Base	1	
<b>116</b>	Rocker Mount	1	
<b>117</b>	Rocker Arm Shaft	1	
<b>118</b>	Rocker Arm Positioning Bolt	2	
<b>119</b>	Rocker Arm Assembly	1	
<b>120</b>	Rocker Arm Assembly	1	
<b>121</b>	Nut M6	2	
<b>122</b>	Intake Valve Seal	2	
<b>123</b>	Valve Spring Seat	2	
<b>124</b>	Valve Spring	2	

Item	Description	Qty per Machine	Part Number
125	Valve Spring Seat	2	
126	Valve Collet	4	
127	Gasket - Valve Cover	1	ZN 180298
128	Vent Hose	1	ZN 180346
129	Bolt M6x16	5	
130	Cylinder Head Cover	1	
131	Stud M6-8x110	2	
132	Gasket - Carburettor Insulator	1	ZN 140015
133	Carburettor Insulator	1	ZN 140016
134	Carburettor Gasket	1	ZN 140017
135	Carburettor	1	ZN 140022
135.1	Carburettor Seal O-Ring	1	ZN 140037
135.2	Carburettor Fibre Washer - Assembly	1	ZN 140038
135.3	Carburettor Fibre Washer - Drain	1	ZN 140039
136	Gasket - Air Filter	1	ZN 160044
137	Clamp - Fuel Hose	1	ZN 150034
138	Clamp - Fuel Hose	1	ZN 150016
139	Fuel Hose	1	ZN 150018
140	Air Filter Support	1	
141	Air Filter Assembly	1	ZN 160029
142	Air Filter Base	1	
143	Nut M6	2	
144	Air Filter Element	2	ZN 160030
145	Air Filter Cover	1	
146	Control Panel	1	ZN 130028
147	Gasket	4	
148	Nut M6	2	
149	Storage Battery Base Plate	1	
150	Storage Battery Fixed Bolt	2	
151	Battery	1	ZN 100024
152	Nut M10x1.25	4	
153	Shock Mount	4	ZN 100136
154	Nut M8	4	ZN 100098
155	Bolt M10x1.25x40	4	
156	Frame Assembly	1	ZN 100092
157	25cm Wheel Axle Pin	2	ZN 100064
158	25cm Wheel	2	ZN 100065
159	Cotter Pin	2	ZN 100083
160	Foot Support Assembly	1	ZN 100067
161	Bolt M6x18	2	ZN 100068
162	Foot Bumper	2	ZN 100069
163	Bolt M8x16	2	ZN 100096
164	Nut M6	2	ZN 100097
165	Foot Support	1	ZN 100072
166	Nut M8	2	ZN 100098

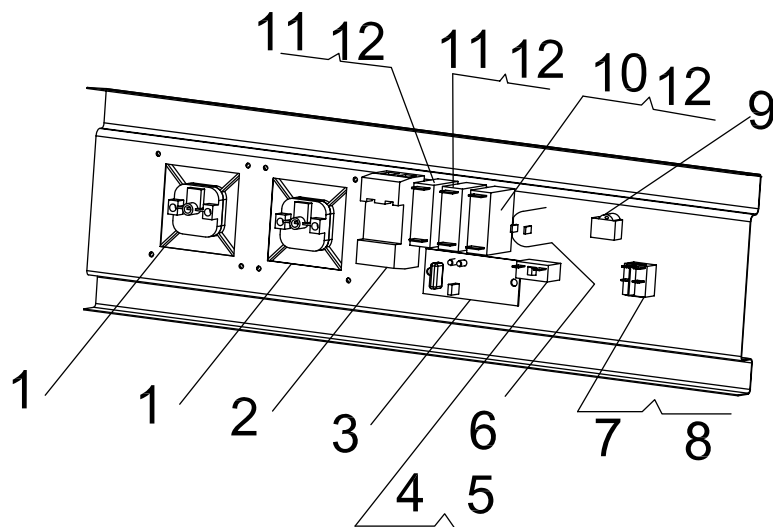
Item	Description	Qty per Machine	Part Number
167	Shock Mount	2	
168	Clevis Pin 8Dx55	2	ZN 100074
169	Handle Assembly	2	ZN 100075
170	Handle Grommet	4	ZN 100076
171	Cotter Pin	2	ZN 100077
172	Handle Plug	2	
173	Handle	2	
174	Handle Grip	2	
175	Engine Complete 420cc	1	ZN 180139



## Spare Parts

Model:	WHXC8500E-PRO	Parts List Revision:	2023-10-17
First Serial Number:	10692A0513109800001	Sub-Assembly:	Panel
Last Serial Number:	10692A0721MWE-162100040	Illustration:	WHXC8500E-PRO-Panel R00 2014-07-24

Item	Description	Qty per Machine	Part Number
1	240 V AC, 15 A, IP66 Socket Outlet	2	ZN 130034
2	30 mA RCD Safety Switch	1	ZN 130054
3	VFT Meter	1	ZN 130031
3a	VFT Meter (2016 and onwards)	1	ZN 130144
4	10 A DC Circuit Breaker	1	ZN 130046
5	DC Circuit Breaker Cover	1	ZN 130050
6	12 V DC, IP44 Outlet	1	ZN 130045
7	Rocker Start Switch	1	ZN 130006
8	Rocker Switch Cover	1	ZN 130048
9	Oil Alert Amplifier	1	ZN 130047
10	30 A AC Circuit Breaker (Superseded by ZN 130191)	1	ZN 130090
10a	29 A AC Circuit Breaker	1	ZN 130191
10b	29 A AC Circuit Breaker 2P (2018 May and onwards)	1	ZN 300275
11	15 A AC Circuit Breaker (Superseded by ZN 130189:WHXC5000; ZN 130190:WHXC7000/8500E/8500E-PRO)	2	ZN 130091
11a	20 A AC Circuit Breaker	2	ZN 130190
12	AC Circuit Breaker Cover	3	ZN 130049



Drawing No: WHXC8500E-PRO-Panel

Date: 2014-07-24

Rev: 00

