



Spare Parts Catalogue

WHXC5000 V2 Portable Generator



westinghouseoutdoorpower.com.au

Powering People Since 1886.

Spare Parts

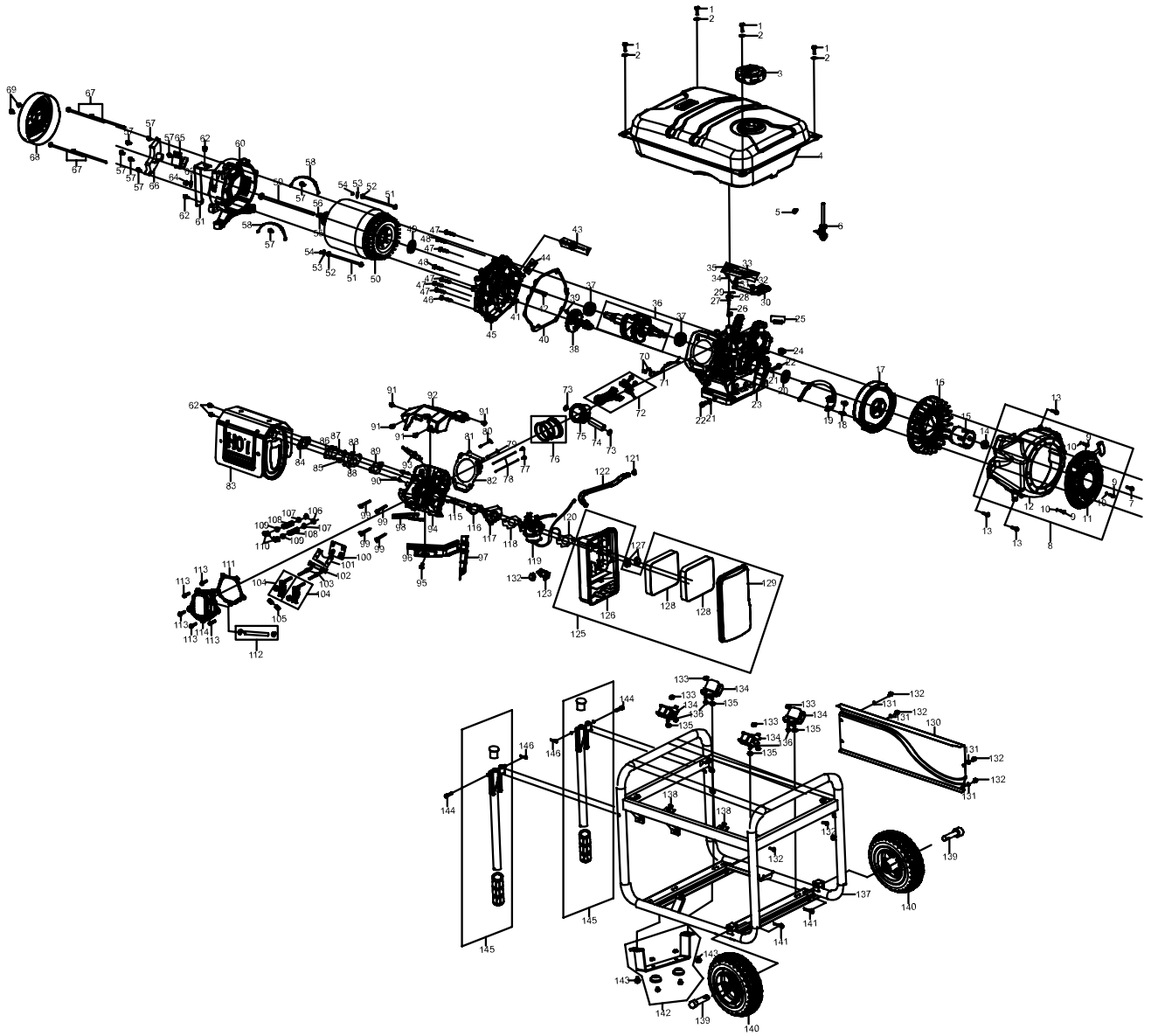
Model:	WHXC5000	Parts List Revision:	2023-10-17
First Serial Number:	10490A0517019800001	Sub-Assembly:	Main
Last Serial Number:		Illustration:	WHXC5000-Main R01 2021-03-09

Item	Description	Qty per Machine	Part Number
1	Bolt M6x28	4	ZN 150026
2	Washer 6.5IDx25ODx2	4	ZN 150027
3	Cap - Fuel Tank	1	ZN 150103
4	Fuel Tank 25L Blue	1	ZN 150042
4.1	Fuel Gauge (Superseded by ZN 300276)	1	ZN 150006
4.1a	Fuel Gauge	1	ZN 300276
4.2	Gasket - Fuel Gauge	1	ZN 150007
4.3	Fuel Strainer	1	ZN 150009
5	Clamp - Fuel Hose	1	ZN 150016
6	Valve - Fuel Shut Off	1	ZN 150013
7	Bolt M6x16	1	ZN 110143
8	Recoil Starter Assembly	1	
9	Bolt M6x10	3	
10	Washer M6	3	
11	Recoil Starter	1	ZN 170013
12	Lower Shield	1	
13	Bolt M6x12	3	ZN 110019
14	Nut M16x1.5	1	
15	Starter Cup	1	
16	Cooling Fan	1	
17	Flywheel	1	
18	Bolt	2	
19	Ignition Module	1	ZN 180224
20	Oil Seal 30IDx46ODx8	1	ZN 180013
21	Washer 12IDx20ODx2	2	
22	Drain Bolt M12x1.5x15	2	
23	Crankcase	1	
24	Wire Clamp	1	
25	Clamp	1	
26	Governor Gear Shaft	1	
27	Washer 8IDx20ODx0.8	1	
28	Oil Seal 8IDx14ODx4	1	ZN 180027
29	Cotter Pin	1	
30	Governor Gear Bracket Assembly	1	ZN 180029
31	Bolt M8x14	2	
32	Idle Spring	1	ZN 180031
33	Throttle Linkage	1	ZN 180227
34	Governor Spring	1	ZN 180035
35	Governor Lever	1	ZN 180037

Item	Description	Qty per Machine	Part Number
36	Crankshaft	1	
37	Bearing 6206	2	
38	Camshaft	1	
39	Dowel Pin 7Dx14	1	
40	Gasket - Crankcase Cover	1	
41	Washer 16IDx24ODx0.5	1	
42	Dowel Pin 9Dx12	1	
43	Governor Gear	1	
44	Dipstick Assembly	1	ZN 180068
45	Crankcase Cover - Left	1	
46	Bolt M8x45	1	
47	Bolt M8x38	5	
48	Bolt M8x35	2	
49	Oil Seal 30IDx46ODx8	1	ZN 180465
50	Alternator Assembly	1	ZN 120036
51	Bolt M5x178	2	
52	Stator Nut	2	
53	Washer M5	2	
54	Washer M5	2	
55	Washer M10	1	
56	Washer M10	1	
57	Bolt M5x14	8	
58	Tape L=85mm	2	
59	Bolt M10x1.25x230	1	ZN 120057
60	Bracket	1	
61	Muffler Installing Plate Support	1	ZN 110127
62	Bolt M8x16	4	
63	Washer M6	1	
64	Washer M6	1	
65	Carbon Brush	1	ZN 120022
66	Voltage Regulator (Superseded by ZN 300279)	1	ZN 120023
66a	Digital Voltage Regulator	1	ZN 300279
67	Bolt M6x145	4	
68	End Cover	1	
69	Bolt M5x14	2	
70	Bolt M6x16	2	
71	Oil Sensor	1	ZN 180070
72	Connecting Rod	1	
73	Circlip - Piston Pin	2	
74	Piston Pin	1	
75	Piston	1	
76	Piston Ring Set	1	
77	Tappet	2	
78	Push Rod	2	
79	Intake Valve	1	

Item	Description	Qty per Machine	Part Number
80	Exhaust Valve	1	
81	Dowel Pin 12Dx20	2	
82	Gasket - Cylinder Head	1	ZN 180092
83	Muffler	1	ZN 110136
84	Gasket - Exhaust Pipe	1	ZN 110142
85	Bolt M8x32	2	
86	Exhaust Pipe	1	
87	Washer M8	2	
88	Nut M8	2	
89	Gasket - Exhaust Pipe	1	ZN 110014
90	Stud M8x35	2	
91	Bolt M6x16	4	
92	Cylinder Head Shield	1	
93	Spark Plug	1	ZN 180099
94	Cylinder Head	1	
95	Bolt M6x12	1	ZN 110019
96	Shroud	1	
97	Shroud	1	
98	Shroud	1	
99	Bolt M10x1.25x87	4	
100	Rocker Arm Base	1	
101	Rocker Mount	1	
102	Rocker Arm Shaft	1	
103	Rocker Arm Positioning Bolt	2	
104	Rocker Arm Assembly	2	
105	Nut M6	2	
106	Intake Valve Seal	2	
107	Valve Spring Seat	2	
108	Valve Spring	2	
109	Valve Spring Seat	2	
110	Valve Collet	4	
111	Gasket - Valve Cover	1	ZN 180298
112	Vent Hose	1	ZN 180346
113	Bolt M6x16	5	
114	Cylinder Head Cover	1	
115	Stud M6-8x98	2	
116	Gasket - Carburettor Insulator	1	ZN 140027
117	Carburettor Insulator	1	ZN 140028
118	Carburettor Gasket	1	ZN 140029
119	Carburettor	1	ZN 140030
119.1	Carburettor Seal O-Ring	1	ZN 140037
119.2	Carburettor Fibre Washer - Assembly	1	ZN 140038
119.3	Carburettor Fibre Washer - Drain	1	ZN 140039
120	Gasket - Air Filter	1	ZN 160044
121	Clamp - Fuel Hose	1	ZN 150034

Item	Description	Qty per Machine	Part Number
122	Fuel Hose	1	ZN 150018
123	Air Filter Support	1	
124	Nut M6	4	
125	Air Filter Assembly	1	ZN 160029
126	Air Filter Base	1	
127	Nut M6	2	
128	Air Filter Element	2	ZN 160030
129	Air Filter Cover	1	
130	Control Panel	1	ZN 130025
131	Gasket	4	
132	Bolt M6x12	7	ZN 110126
133	Nut M10x1.25	4	
134	Shock Mount	4	ZN 100136
135	Nut M8	4	
136	Bolt M10x1.25x40	4	
137	Frame Assembly	1	ZN 100089
138	Shock Mount	2	
139	25cm Wheel Axle Pin	2	ZN 100064
140	25cm Wheel	2	ZN 100065
141	Cotter Pin	2	ZN 100083
142	Foot Support Assembly	1	ZN 100067
143	Bolt M8x16	2	ZN 100096
144	Clevis Pin 8Dx55	2	ZN 100074
145	Handle Assembly	2	ZN 100075
146	Cotter Pin	2	ZN 100077
147	Engine Complete 292cc	1	ZN 180137



Drawing No: WHXC5000-Main

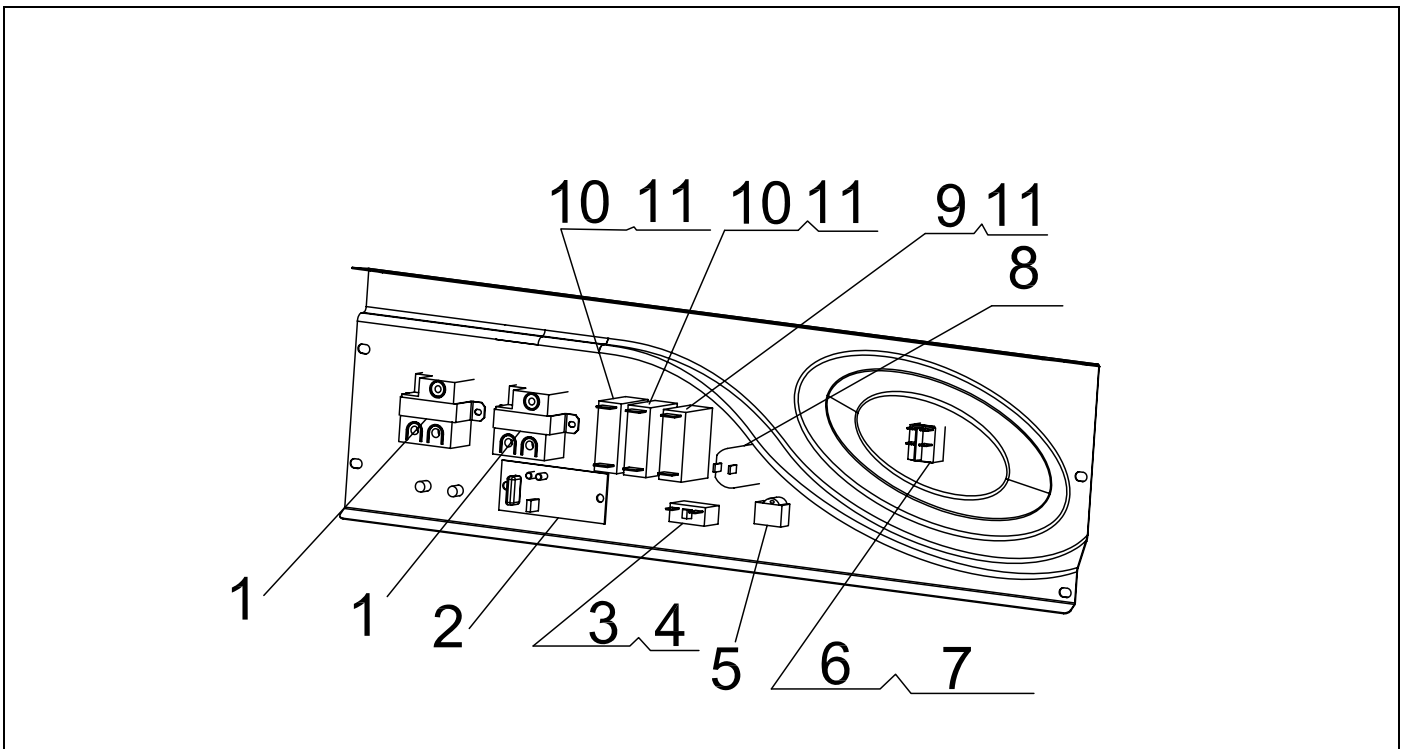
Date: 2021-03-09

Rev: 01

Spare Parts

Model:	WHXC5000	Parts List Revision:	2023-10-17
First Serial Number:	10490A0517019800001	Sub-Assembly:	Control Panel
Last Serial Number:		Illustration:	WHXC5000-Panel R00 2014-07-24

Item	Description	Qty per Machine	Part Number
1	240 V AC, 15 A, IP44 Socket Outlet	2	ZN 130033
2	VFT Meter	1	ZN 130031
2a	VFT Meter (2016 and onwards)	1	ZN 130144
3	10 A DC Circuit Breaker	1	ZN 130046
4	DC Circuit Breaker Cover	1	ZN 130050
5	Oil Alert Amplifier	1	ZN 130047
6	Rocker Start Switch	1	ZN 130005
7	Rocker Switch Cover	1	ZN 130048
8	12 V DC, IP44 Outlet	1	ZN 130045
9	19 A AC Circuit Breaker (Superseded by ZN 130189)	1	ZN 130088
9a	17 A AC Circuit Breaker	1	ZN 130189
9b	17 A AC Circuit Breaker 2P (2018 May and onwards)	1	ZN 300273
10	15 A AC Circuit Breaker (Superseded by ZN 130189:WHXC5000; ZN 130190:WHXC7000/8500E/8500E-PRO)	2	ZN 130091
10a	17 A AC Circuit Breaker	2	ZN 130189
11	AC Circuit Breaker Cover	3	ZN 130049



Drawing No: WHXC5000-Panel

Date: 2014-07-24

Rev: 00

