



# Westinghouse

INNOVATION YOU CAN BE SURE OF

## Spare Parts Catalogue

### 2400i Digital Inverter Generator



**Power - when you need it - where you need it**

[westinghousepower.com.au](http://westinghousepower.com.au)



Model: 2400i

Parts List Revision: 2016-08-25

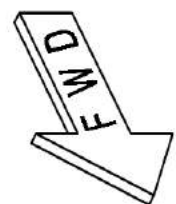
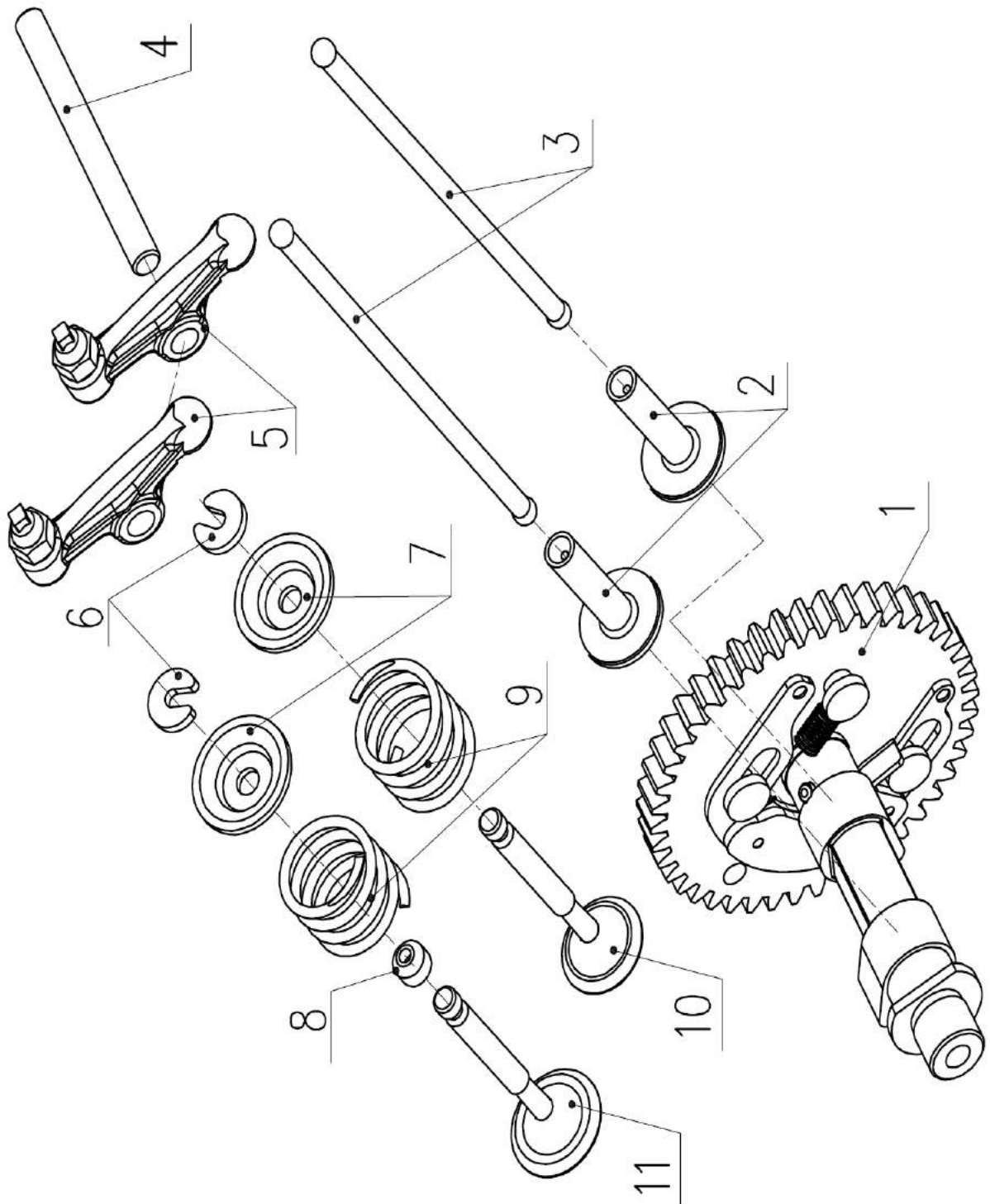
First Serial No:

Sub-Assembly: Valve System

Last Serial No:

Illustration: F02

Item	Description	Qty per Machine	Part Number
1	Camshaft Set	1	EP LH148F-021000A
2	Valve Tappet	2	EP LH148F-020001
3	Valve Lifter	2	EP LH148F-020002
4	Valve Rocker Arm Shaft	1	EP LH148F-020009
5	Valve Rocker Arm Set	2	EP LH148F-022000
6	Valve Key	2	EP LH148F-020008
7	Valve Spring Retainer	2	EP LH148F-020007
8	Valve Oil Seal	1	EP LH148F-020005
9	Valve Spring	2	EP LH148F-020006
10	Exhaust Valve	1	EP LH148F-020004
11	Intake Valve	1	EP LH148F-020003





Model: 2400i

Parts List Revision: 2016-08-25

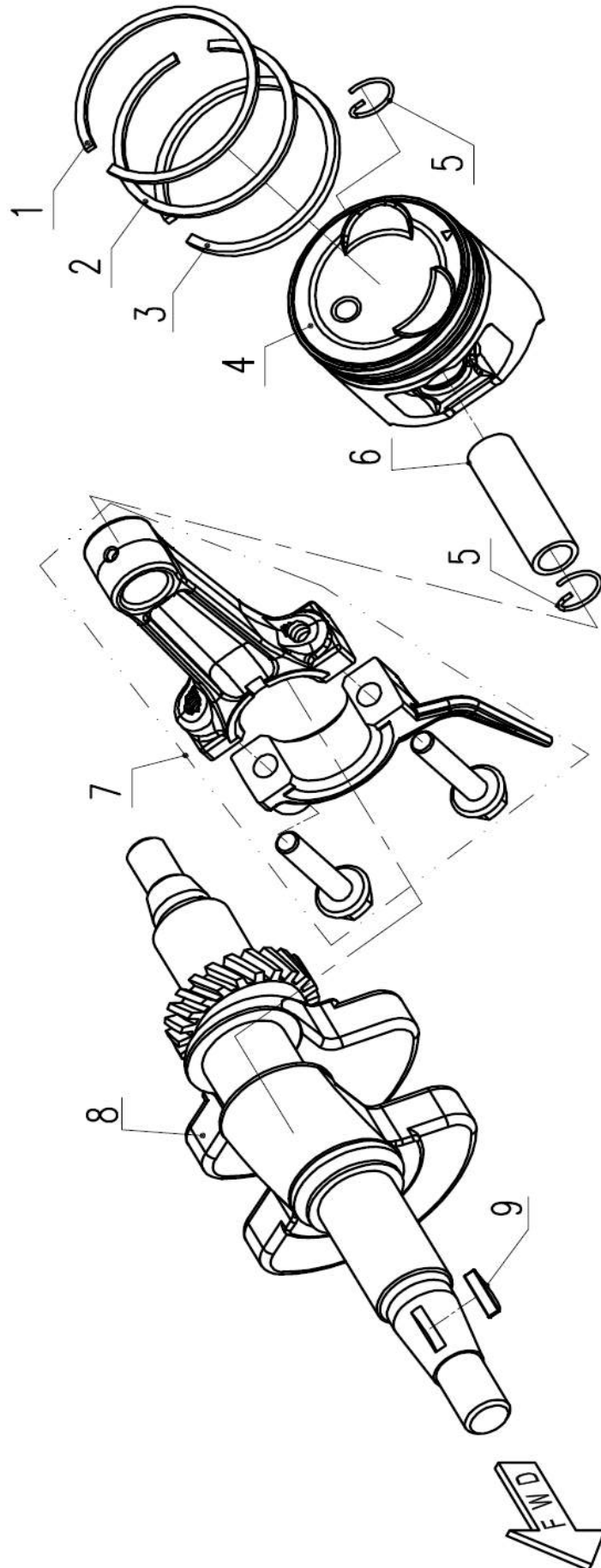
First Serial No:

Sub-Assembly: Crankshaft Rod Piston

Last Serial No:

Illustration: F04

Item	Description	Qty per Machine	Part Number
1	1st Piston Ring	1	EP LH148F-040005A
2	2nd Piston Ring	1	EP LH148F-040006A
3	Oil Ring Set	1	EP LH148F-040200A
4	Piston	1	EP LH148F-040002A
5	Piston Pin Circlip	2	EP LH148F-040004
6	Piston Pin	1	EP LH148F-040003
7	Rod Assembly	1	EP LH148F-040300A
8	Crankshaft Set	1	EP LH148F-040100A
9	Woodruff Key	1	EP LH142F-040001





Model: 2400i

Parts List Revision: 2016-08-25

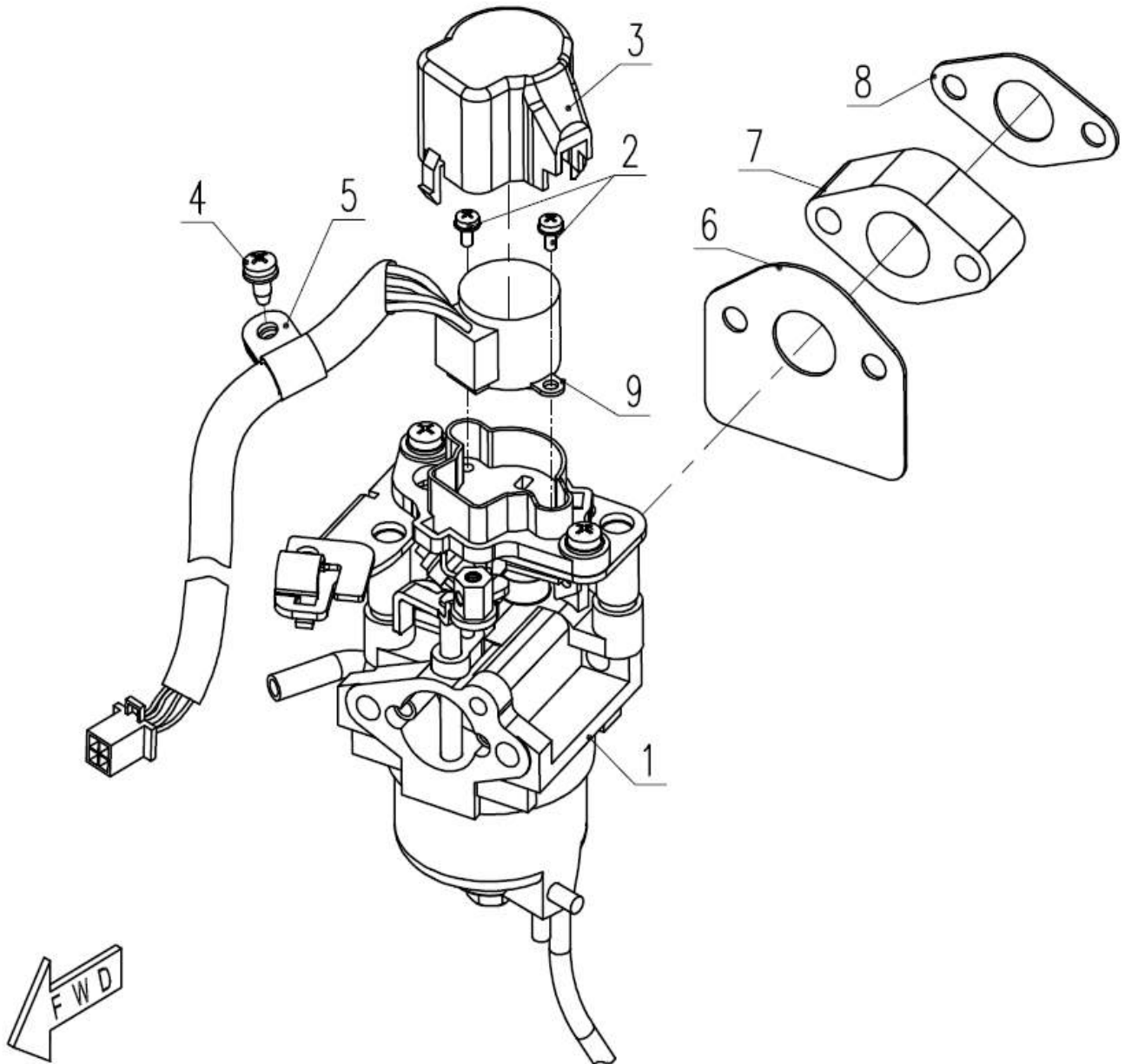
First Serial No:

Sub-Assembly: Carburettor

Last Serial No:

Illustration: F09

Item	Description	Qty per Machine	Part Number
1	Carburettor Set	1	EP LH148F-091100
2	Screw and Washer M3x6	2	EP GB9074.5-88 M3x6
3	Outer Cover, Stepper Motor	1	EP LH148F-091001
4	Screw and Washer ST5x15	1	EP GB9074.19-88(F) ST5x15
5	Clip	1	EP LH1000i-370007
6	Front Gasket, Adapter	1	EP LH148F-090001
7	Adapter	1	EP LH148F-090002
8	Rear Gasket, Adapter	1	EP LH148F-090003
9	Stepper Motor Set	1	EP LH148F-091200





Model: 2400i

Parts List Revision: 2016-08-25

First Serial No:

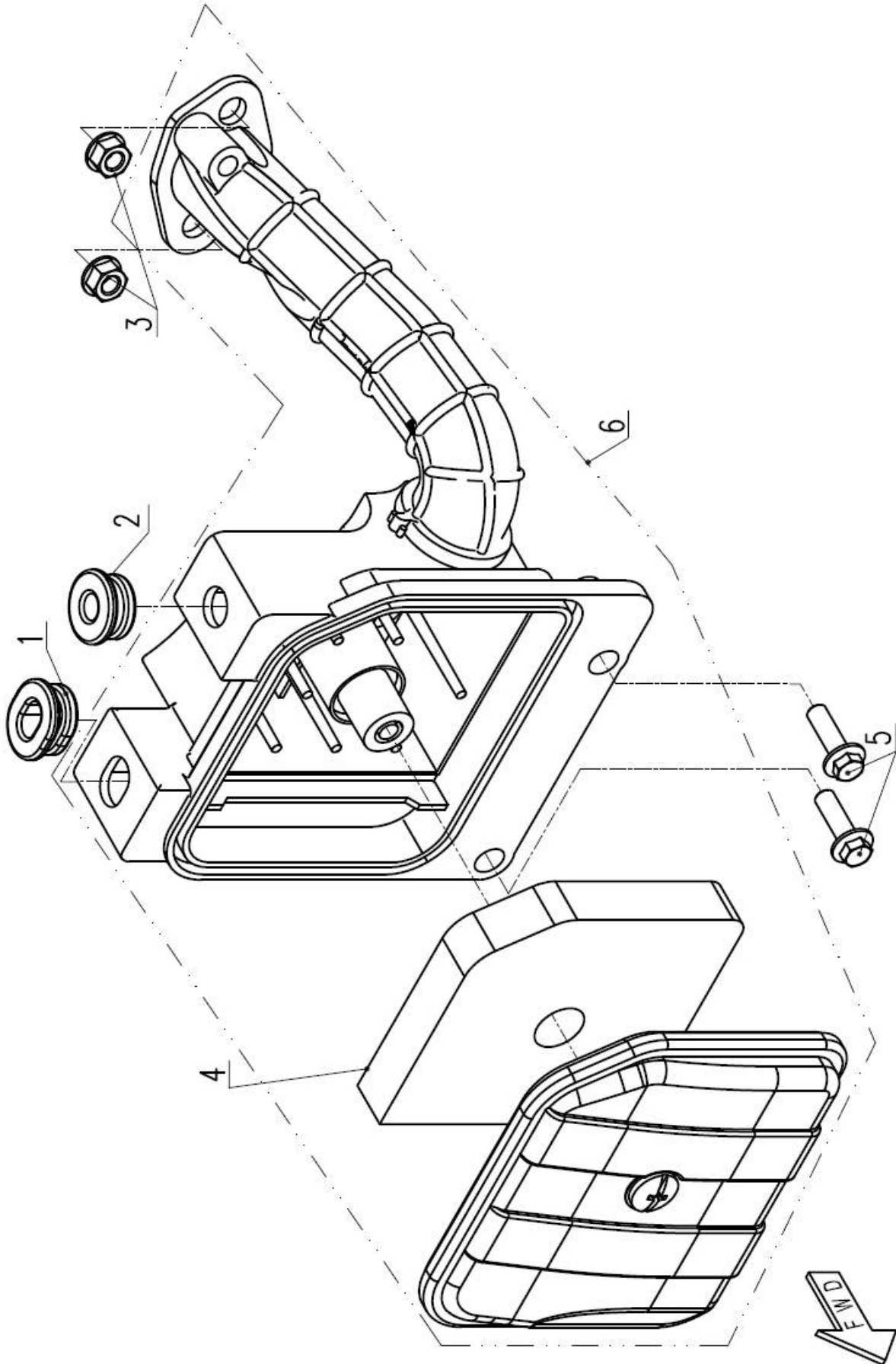
Sub-Assembly: Air Filter

Last Serial No:

Illustration: F10

Item	Description	Qty per Machine	Part Number
1	Fuel Tank Cushion 1	1	EP LH148F-100003
2	Fuel Tank Cushion 2	1	EP LH148F-100004
3	Flange Nut M6	2	EP GB/T6177.1-2000 M6
4	Air Filter Element	1	EP LH148F-100001
5	Flange Bolt M6x12	2	EP GB/T5789-1986 M6x18
6	Air Filter Set	1	EP LH148F-101000







Model: 2400i

Parts List Revision: 2016-08-25

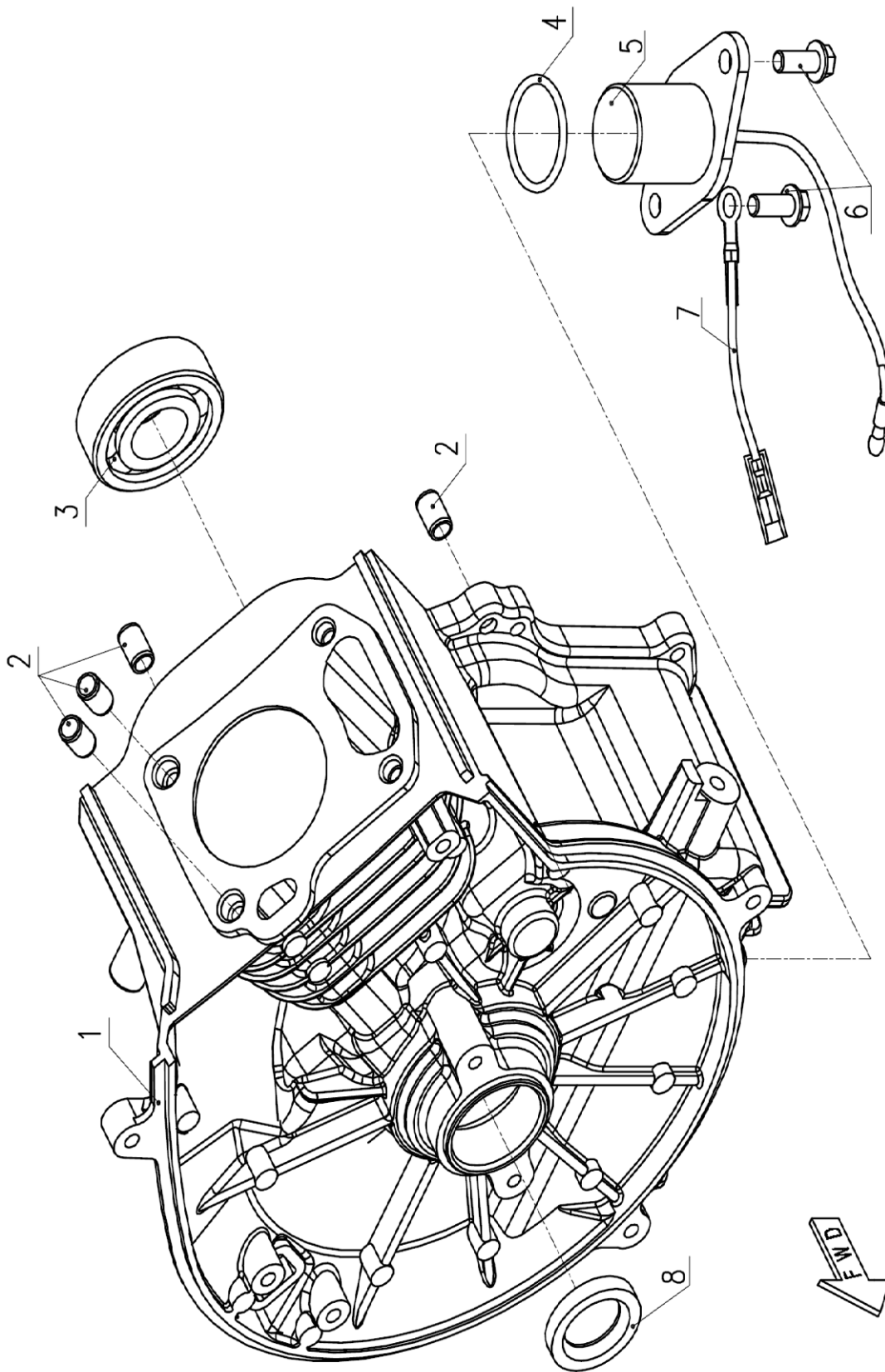
First Serial No:

Sub-Assembly: Crankcase

Last Serial No:

Illustration: F11

Item	Description	Qty per Machine	Part Number
1	Crankcase Set	1	EP LH148F-011100A
2	Dowel Pin 8x12	4	EP LH142F-012001
3	Rolling Bearing 6204C3	1	EP GB/T276-1994 6204C3
4	O-Ring 28x2.5	1	EP LH142F-012009
5	Oil Level Sensor Set	1	EP LH142F-012200
6	Flange Bolt M6x12	2	EP GB/T5789-1986 M6x12
7	Engine Grounded Line	1	EP LH1000i-365000
8	Oil Seal 20x32x5	1	EP LH148F-011001





Model: 2400i

Parts List Revision: 2016-08-25

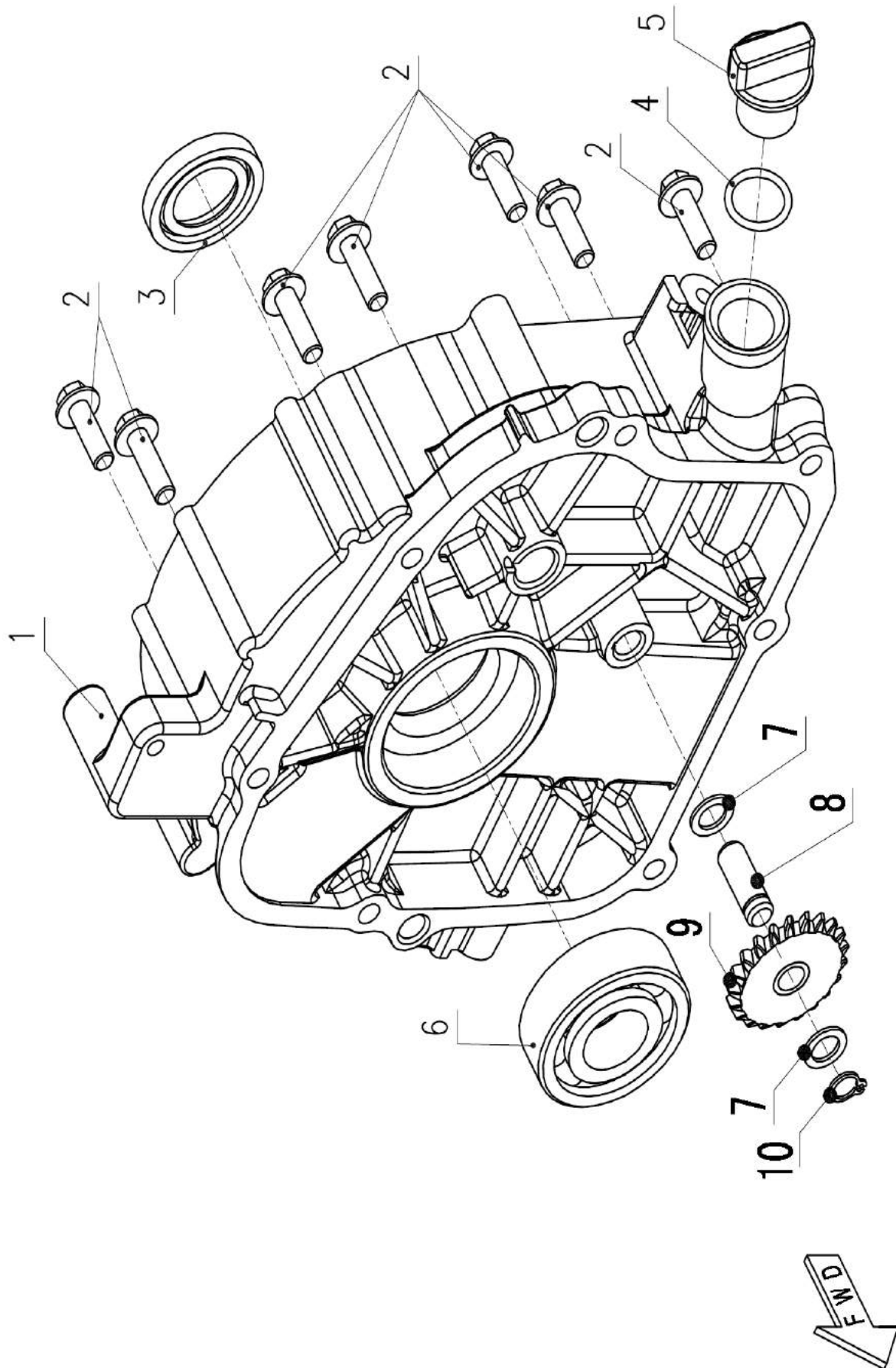
First Serial No:

Sub-Assembly: Crankcase Cover

Last Serial No:

Illustration: F12

Item	Description	Qty per Machine	Part Number
1	Crankcase Cover	1	EP LH148F-012101A
2	Flange Bolt M6x12	7	EP GB/T5787-1986 M6x20
3	Oil Seal 20x35x5	1	EP LH142F-012100
4	O-Ring 15x2.5	1	EP LH142F-012004
5	Oil Fill Plug	1	EP LH142F-012003
6	Rolling Bearing 6204C3	1	EP GB/T276-1994 6204C3
7	Washer 8	2	EP GB/T97.1-2002 8
8	Puddle Oil Gear Shaft	1	EP LH148F-012102
9	Puddle Oil Gear Set	1	EP LH148F-012200
10	Shaft Clip 8	1	EP GB/T894.1-1986 8





Model: 2400i

Parts List Revision: 2016-08-25

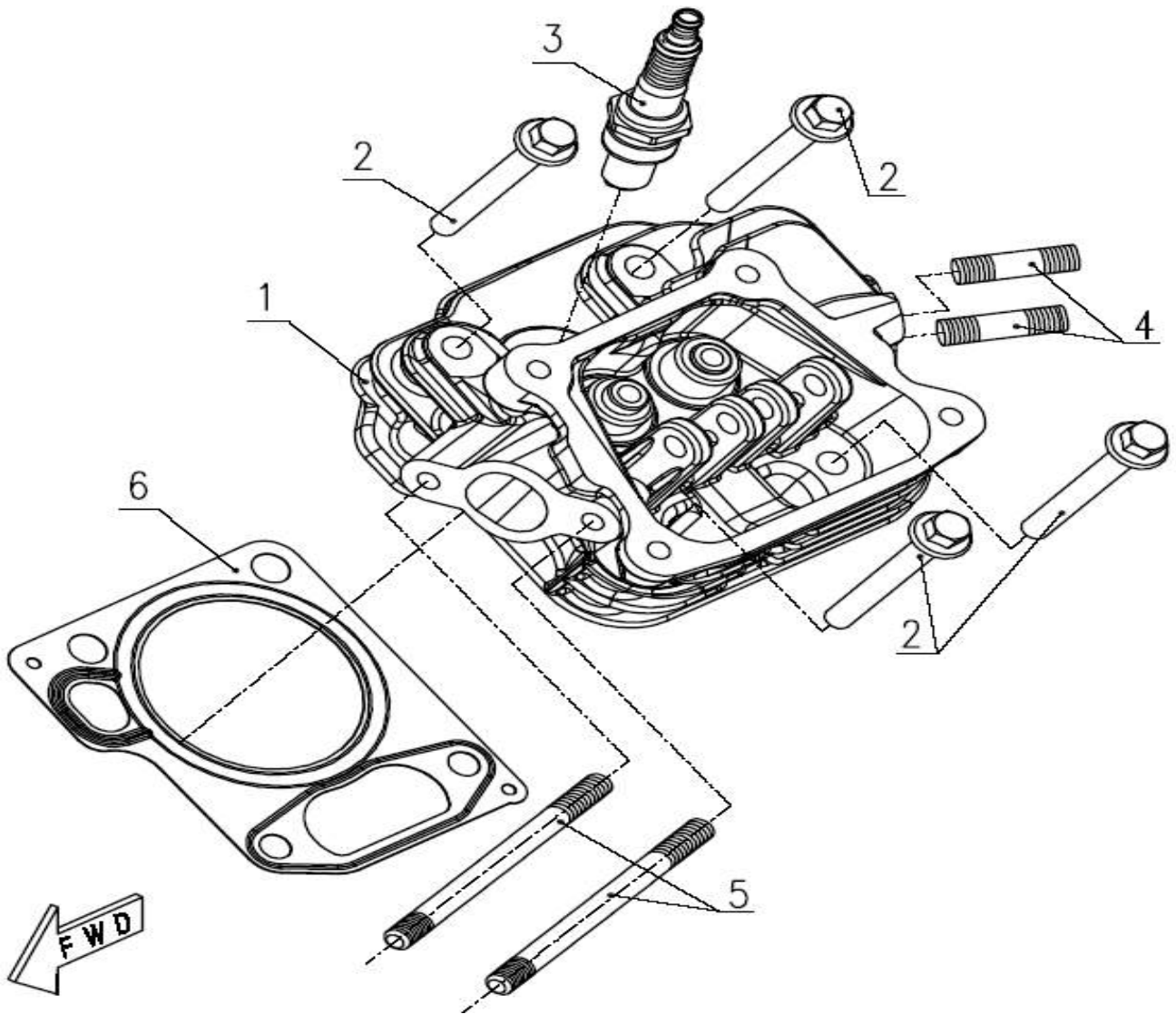
First Serial No:

Sub-Assembly: Cylinder Head

Last Serial No:

Illustration: F13

Item	Description	Qty per Machine	Part Number
1	Cylinder Head Set	1	EP LH148F-A-013100A
2	Flange Bolt M6x50	4	EP GB/T5789-1986 M6x50
3	Spark Plug	1	EP LH142F-011200
4	Stud Bolt, Exhaust Pipe	2	EP LH142F-011003
5	Stud Bolt, Carburettor	2	EP LH148F-013001
6	Gasket, Cylinder Head	1	EP LH148F-013002





Model: 2400i

Parts List Revision: 2016-08-25

First Serial No:

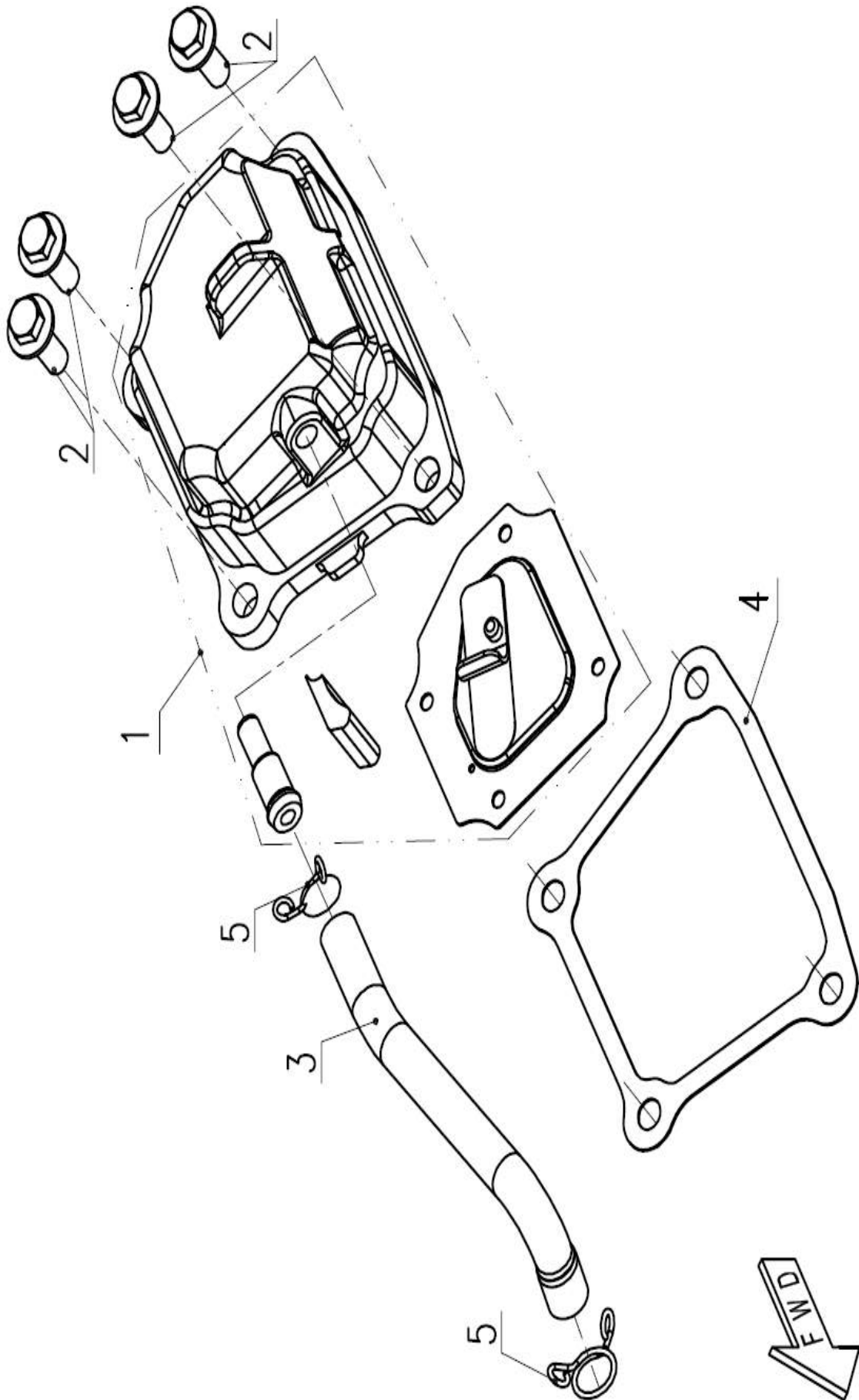
Sub-Assembly: Cylinder Head Cover

Last Serial No:

Illustration: F14

Item	Description	Qty per Machine	Part Number
1	Cylinder Head Cover	1	EP LH148F-014101
2	Flange Bolt M6x16	4	EP GB/T5789-1986 M6x16
3	Vent Pipe	1	EP LH148F-014004
4	Gasket, Cylinder Head Cover	1	EP LH148F-014003
5	Clip	2	EP QC/T621-1999 Q671B10







Model: 2400i

Parts List Revision: 2016-08-25

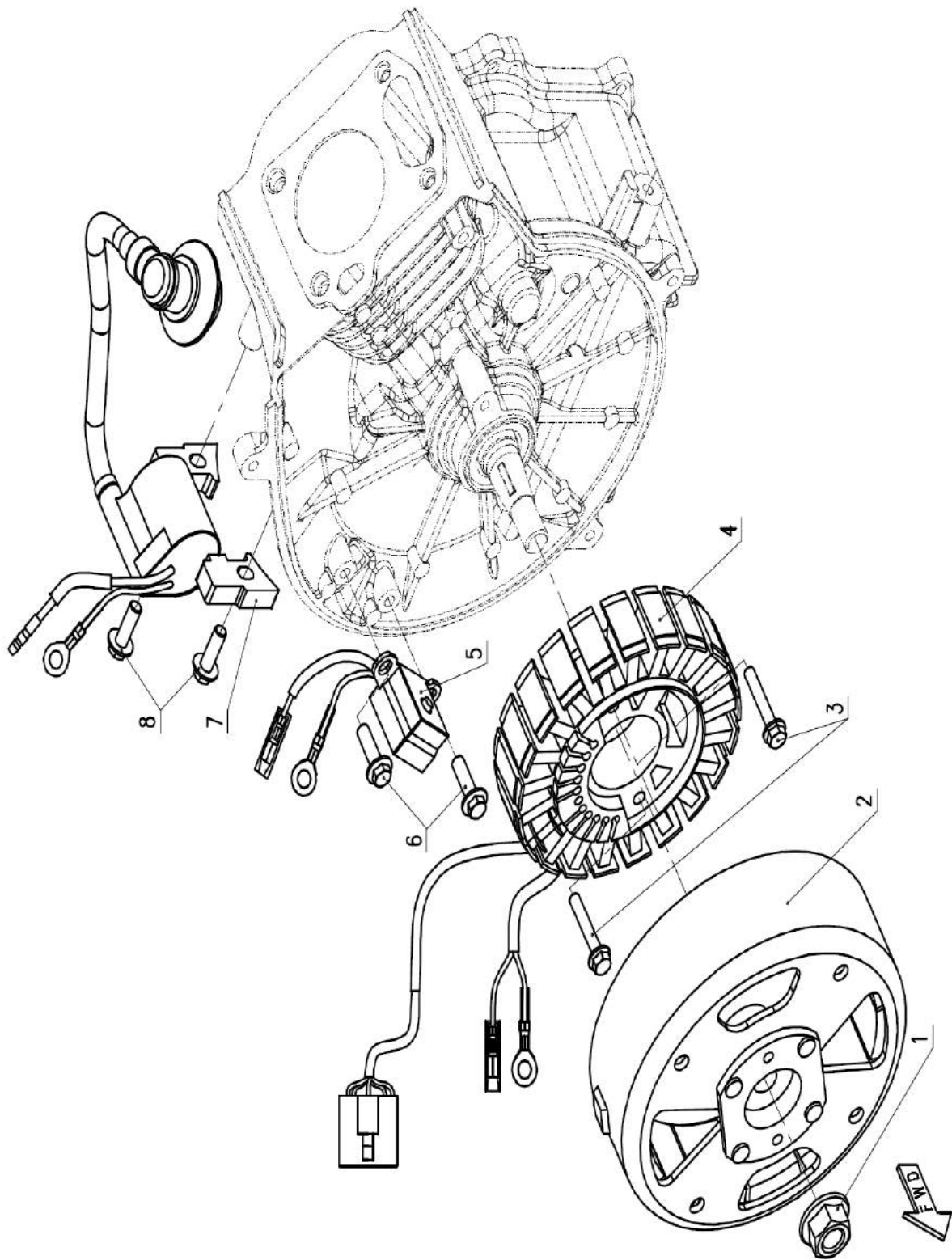
First Serial No:

Sub-Assembly: Magneto

Last Serial No:

Illustration: F31

Item	Description	Qty per Machine	Part Number
1	Flange Nut M12x12.5	1	EP GB/T6177.2-2000 M12x1.25
2	Rotor Set	1	EP LH2500i-311100A
3	Flange Bolt M5x30	2	EP GB/T5789-1986 M5x30
4	240V/50Hz Stator Set	1	EP LH2500i-311200A
5	Pickup Coil Assembly	1	EP LH2000i-312000
6	Flange Bolt M5x16	2	EP GB/T5789-1986 M5x16
7	Ignition Coil Set	1	EP LH2000i-313000
8	Flange Bolt M6x18	2	EP GB/T5789-1986 M6x18





Model: 2400i

Parts List Revision: 2016-08-25

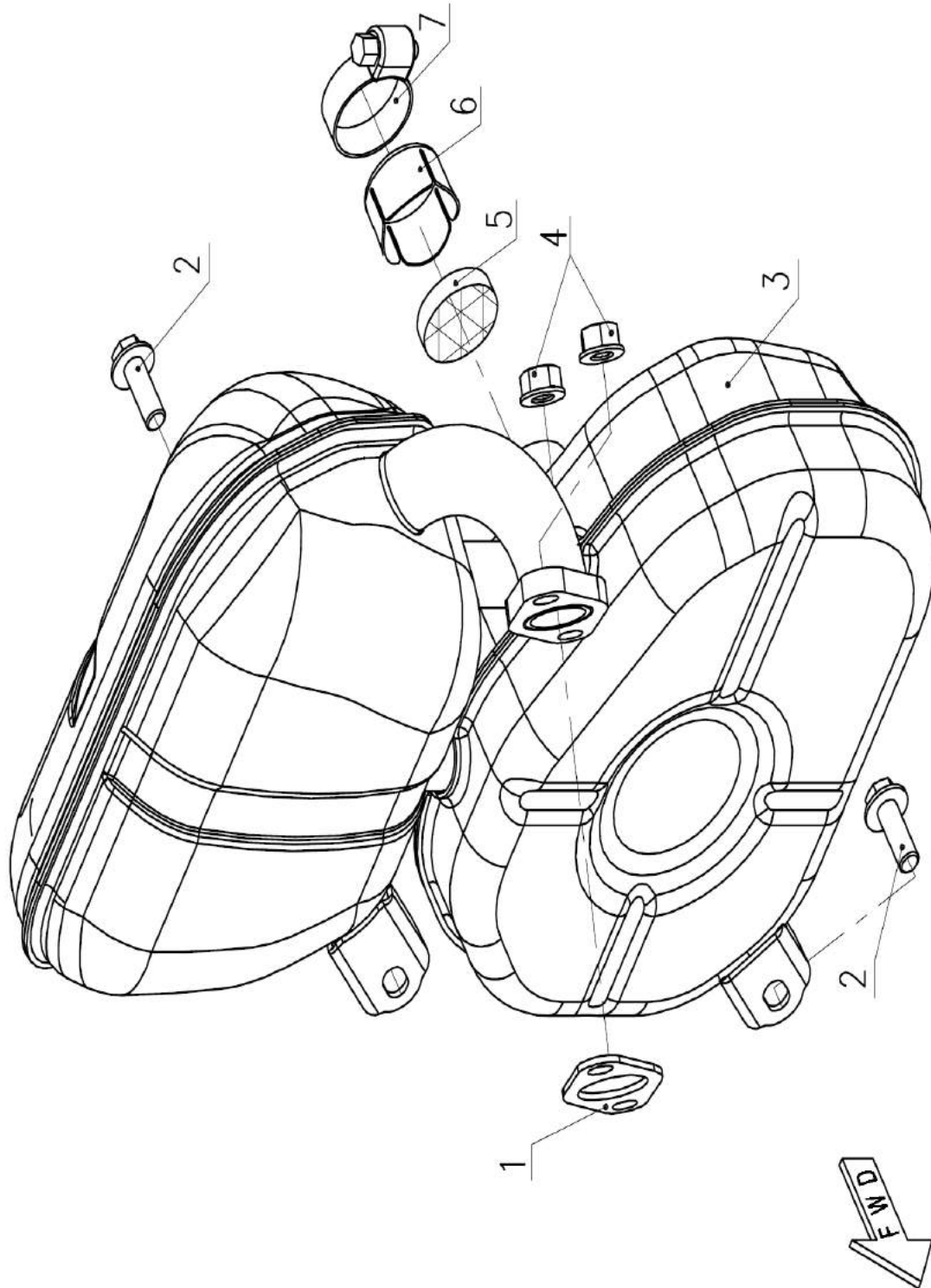
First Serial No:

Sub-Assembly: Exhaust System

Last Serial No:

Illustration: F32

Item	Description	Qty per Machine	Part Number
1	Exhaust Pipe Gasket	1	EP LH1000i-320001
2	Flange Bolt M6x12	2	EP GB/T5789-1986 M6x12
3	Muffler Assembly	1	EP LH2000i-321000
4	Nut M6	2	EP GB/T6177.1-2000 M6
5	Spark Arrester Element	1	EP LH2000i-321018
6	Lock Cap, Spark Arrester	1	EP LH2000i-321019
7	Hose Clamp 32	1	EP JB/T8870-1999 32





Model: 2400i

Parts List Revision: 2016-08-25

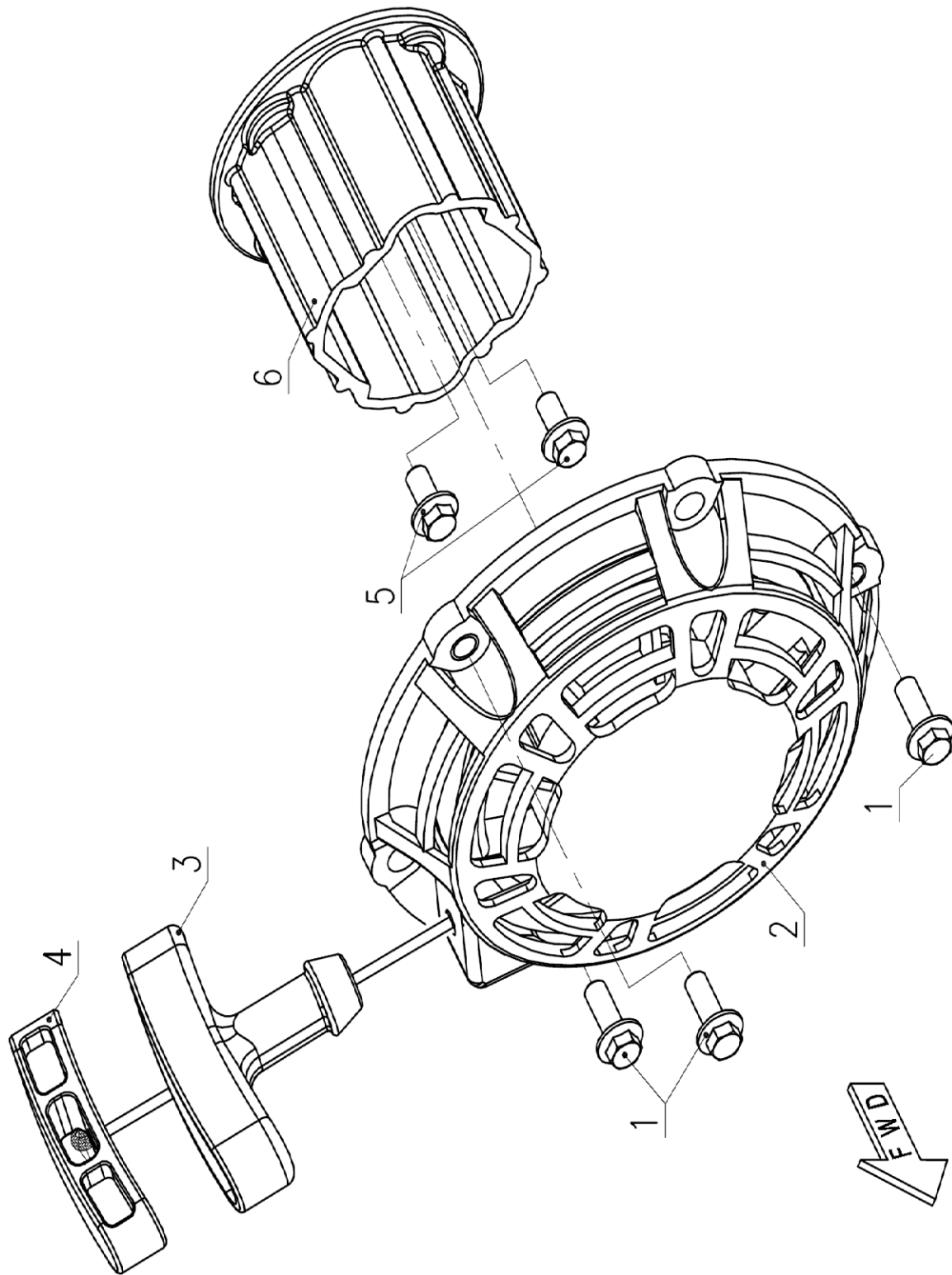
First Serial No:

Sub-Assembly: Starting System

Last Serial No:

Illustration: F33

Item	Description	Qty per Machine	Part Number
1	Flange Bolt M6x16	3	EP GB/T5789-1986 M6x16
2	Recoil Starter Disc Set	1	EP LH2000i-331000
3	Recoil Starter Handle	1	EP LH2000i-331301
4	Recoil Starter Handle Cover	1	EP LH2000i-331302
5	Flange Bolt M6x12	2	EP GB/T5789-1986 M6x12
6	Recoil Starter Driving Disc	1	EP LH2000i-330001





Model: 2400i

Parts List Revision: 2016-08-25

First Serial No:

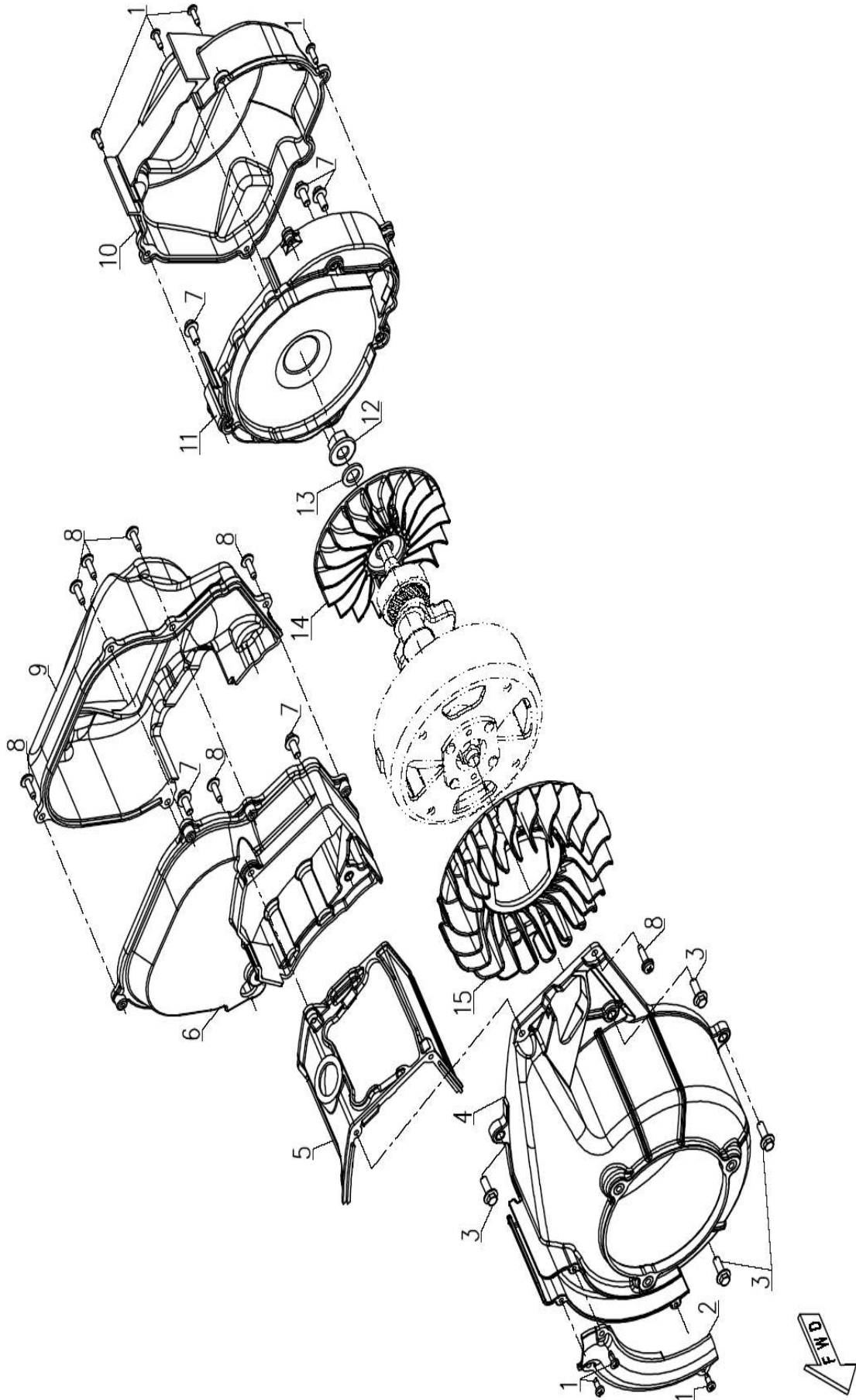
Sub-Assembly: Cooling System

Last Serial No:

Illustration: F35

Item	Description	Qty per Machine	Part Number
1	Screw and Washer ST4.2x12	7	EP GB9074.18-88(F) ST4.2x12
2	Pressing Line Plate	2	EP LH2000i-350003
3	Flange Bolt M6x16	4	EP GB/T5789-1986 M6x16
4	Front Air Inlet Cover Set	1	EP LH2000i-351000
5	Wind Scooper	1	EP LH2000i-350002
6	Front Cover, Upper Muffler	1	EP LH2000i-352000
7	Flange Bolt M6x12	5	EP GB/T5789-1986 M6x12
8	Screw and Washer ST5x15	7	EP GB9074.19-88(F) ST5x15
9	Rear Cover, Lower Muffler	1	EP LH2000i-353000
10	Rear Cover, Rear Fan	1	EP LH2000i-355000
11	Middle Cover, Rear Fan	1	EP LH2000i-354000
12	Flange Nut M10x1.25	1	EP GB/T6177.2-2000 M10x1.25
13	Washer 10.5x20x2	1	EP GB/T97.1-2002 10.5x20x2
14	Rear Fan	1	EP LH1000i-350006
15	Front Fan	1	EP LH2000i-350001







Model: 2400i

Parts List Revision: 2016-08-25

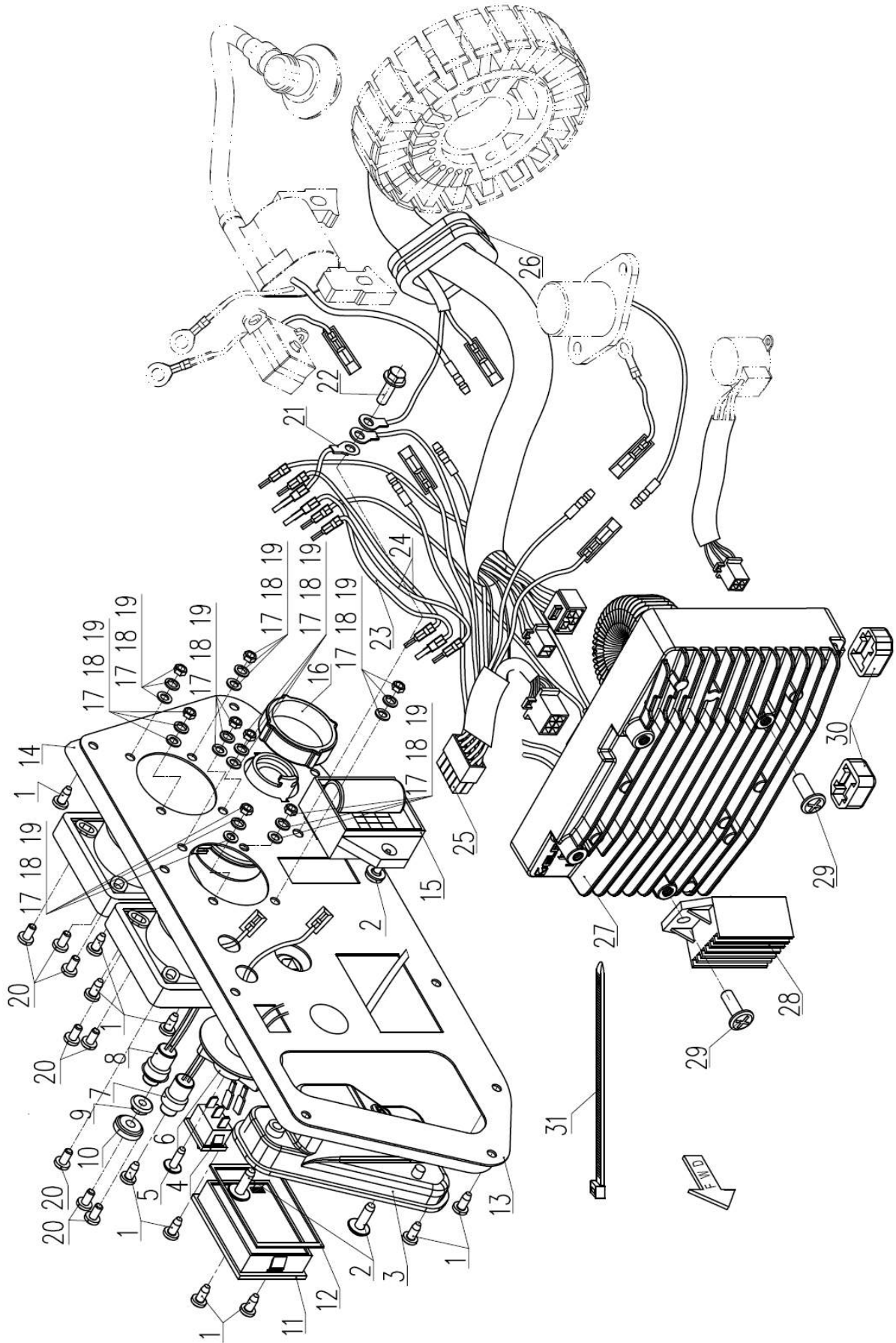
First Serial No:

Sub-Assembly: Control System

Last Serial No:

Illustration: F36

Item	Description	Qty per Machine	Part Number
1	Screw ST4.2x12	10	EP GB/T845-F-H
2	Screw and Washer ST5x15	3	EP GB9074.19-88(F)
3	Limit Plate, Recoil Starter Handle	1	EP LH25i-330400
4	Eco Switch Set	1	EP LH1000i-361300
5	Screw and Washer M4x12	1	EP GB9074.5-88
6	Fuel Switch Knob	1	EP LH25i-370004
7	Reset Button (Green)	1	EP LH25i-361100
8	Engine Stop Button (Red)	1	EP LH25i-361200
9	Flange Nut M5	1	EP GB/T6177.1-2000
10	Knurled Nut M5	1	EP LH1000i-360002
11	VST Meter	1	EP LH25i-361300
12	Sealing Gasket, VST Meter	1	EP LH25i-361002
13	Control Panel, 240V, For Cig Socket	1	EP LH25i-361001
14	Control Panel Decal, 240V, For Cig Socket	1	EP LH25i-361003
15	Indicator Light Set	1	EP LH2500i-361600
16	Cig Socket Set	1	EP LH2000i-365000
17	Washer 4x8x0.5	8	EP GB/T848-2002
18	Spring Washer 4	8	EP GB/T93-1987
19	Hex Nut M4	8	EP GB/T6170-2000
20	Screw and Washer M4x12	8	EP GB9074.5-88
21	AC Socket Grounded Line Set	1	EP LH1000i-361400
22	Flange Bolt M5x16	1	EP GB/T5789-1986
23	AC Socket Grounded Connecting Line	1	EP LH2000i-361200
24	AC Socket Connecting Line	2	EP LH2000i-361300
25	Cable Assembly	1	EP LH25i-363000
26	Cable Protective Conduit	1	EP LH2000i-360001
27	Inverter Module, 240V	1	EP LH2500i-362100A
28	Regulator	1	EP LH2000i-366000
29	Bolt M6x12	2	EP LH1000i-362002
30	Shock Absorbing Rubber Block, Inverter Module	2	EP LH1000i-362001
31	AC Socket	2	EP LH1000i-361700





Model: 2400i

Parts List Revision: 2016-08-25

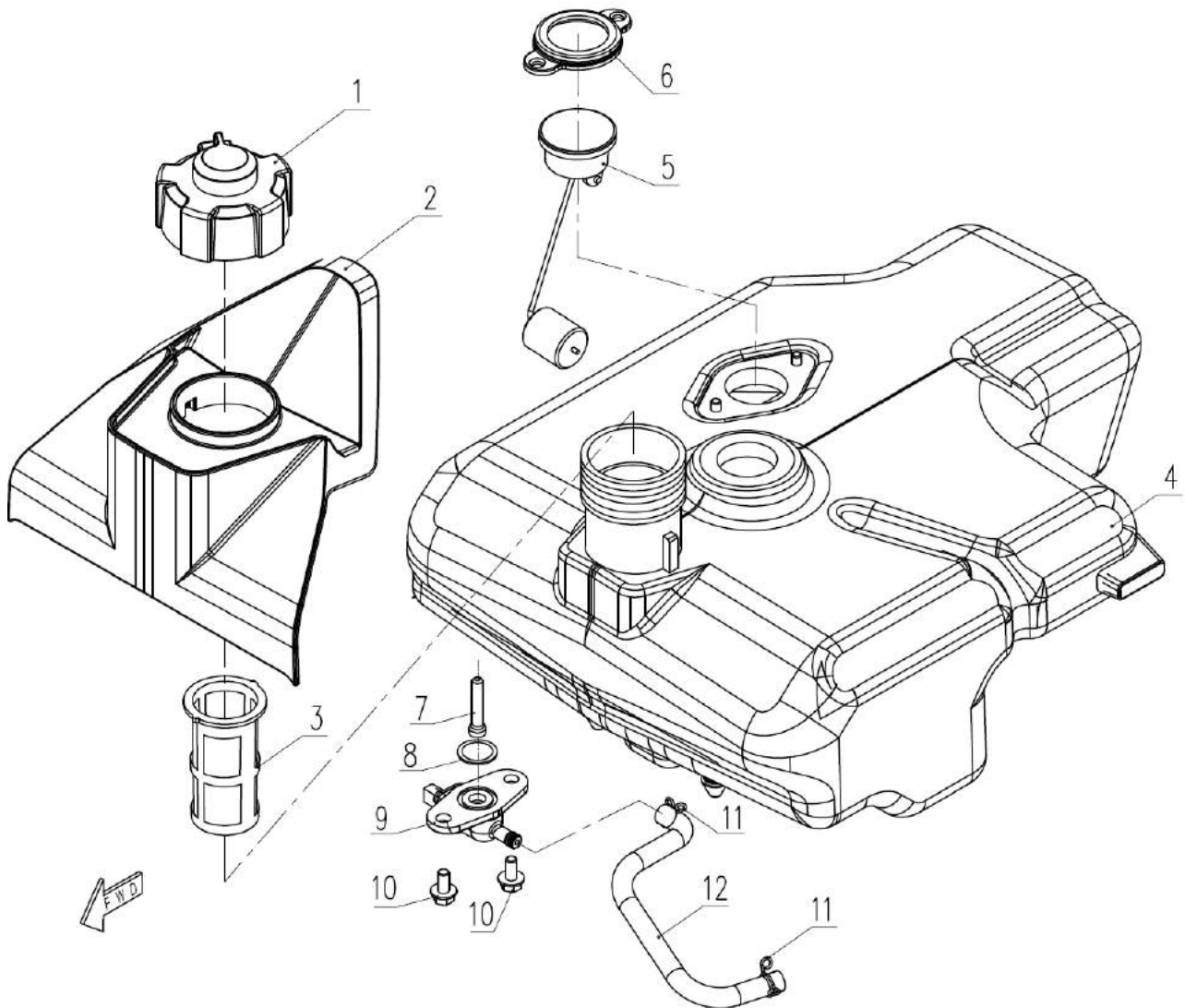
First Serial No:

Sub-Assembly: Fuel System

Last Serial No:

Illustration: F37

Item	Description	Qty per Machine	Part Number
1	Fuel Tank Cap Set	1	EP LH1000i-374300
2	Gasket, Fuel Tank Port	1	EP LH25i-371001
3	Fuel Filling Strainer Assembly	1	EP LH1000i-374100
4	Fuel Tank Set	1	EP LH25i-371100
5	Fuel Level Sensor Set	1	EP LH25i-371200
6	Cover, Fuel Level Sensor	1	EP LH25i-371002
7	Fuel Outlet Strainer Assembly	1	EP LH25i-371300
8	O-Ring Seal	1	EP LH25i-371003
9	Fuel Switch Assembly	1	EP LH25i-373000
10	Flange Bolt M6x12	2	EP GB/T5789-1999
11	Clip	2	EP QC/T621-1999 Q673B8
12	Inlet Fuel Line, Carburettor	1	EP LH25i-370005





Model: 2400i

Parts List Revision: 2016-08-25

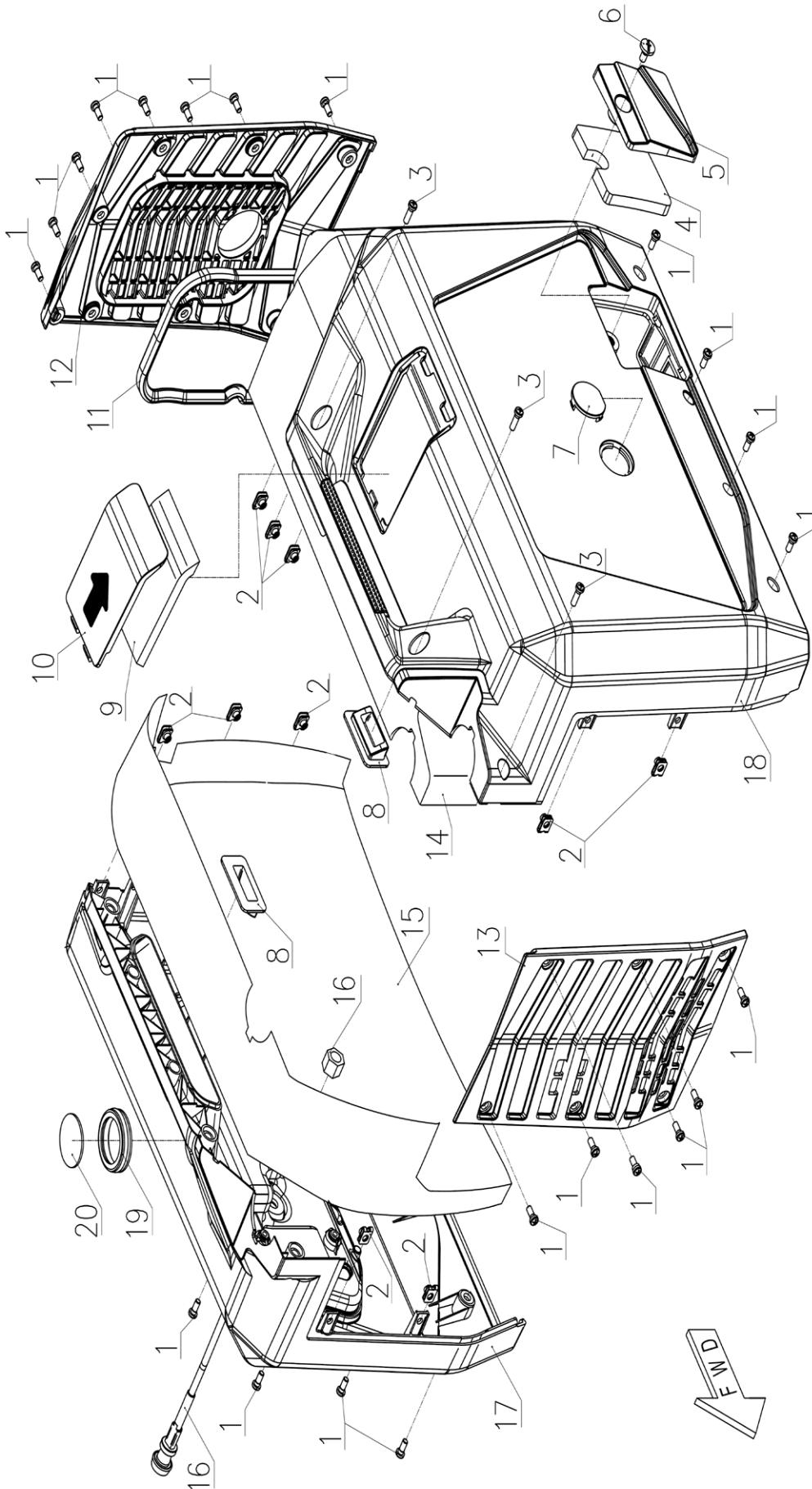
First Serial No:

Sub-Assembly: Outer Housing

Last Serial No:

Illustration: F38

Item	Description	Qty per Machine	Part Number
1	Screw M5x12	22	EP GB/T9074.1-1988 M5x12
2	Clip Nut M5	10	EP LH1000i-381004
3	Screw M5x15	3	EP GB/T9074.1-1988 M5x15
4	Sound Attenuation Foam (Oil Filling Cover)	1	EP LH25i-384002
5	Oil Filling Cover	1	EP LH25i-384001
6	Bolt M6x13	1	EP LH1000i-384002
7	Fuel Draining Cover, Carburettor	1	EP LH25i-380001
8	Mounting Absorb Cushion 3, Fuel Tank	1	EP LH2000i-381002
9	Sound Attenuation Foam (Spark Plug Cover)	1	EP LH25i-382003
10	Spark Plug Cover	1	EP LH25i-382001
11	Seal Ring	1	EP LH1000i-385003
12	Muffler Outer Cover	1	EP LH25i-386100
13	Air Intake Cover	1	EP LH25i-385100
14	Sound Attenuation Foam (Left)	1	EP LH25i-381001
15	Sound Attenuation Foam (Right)	1	EP LH25i-383001
16	Choke Cable Assembly	1	EP LH2000i-383003
17	Right Outer Cover	1	EP LH25i-383100
18	Left Outer Cover	1	EP LH25i-381100
19	Seal, Fuel Level Sight Glass	1	EP LH25i-370003
20	Fuel Level Sight Glass	1	EP LH25i-370002
21	Decal Set	1	EP LH25i-361004





Model: 2400i

Parts List Revision: 2016-08-25

First Serial No:

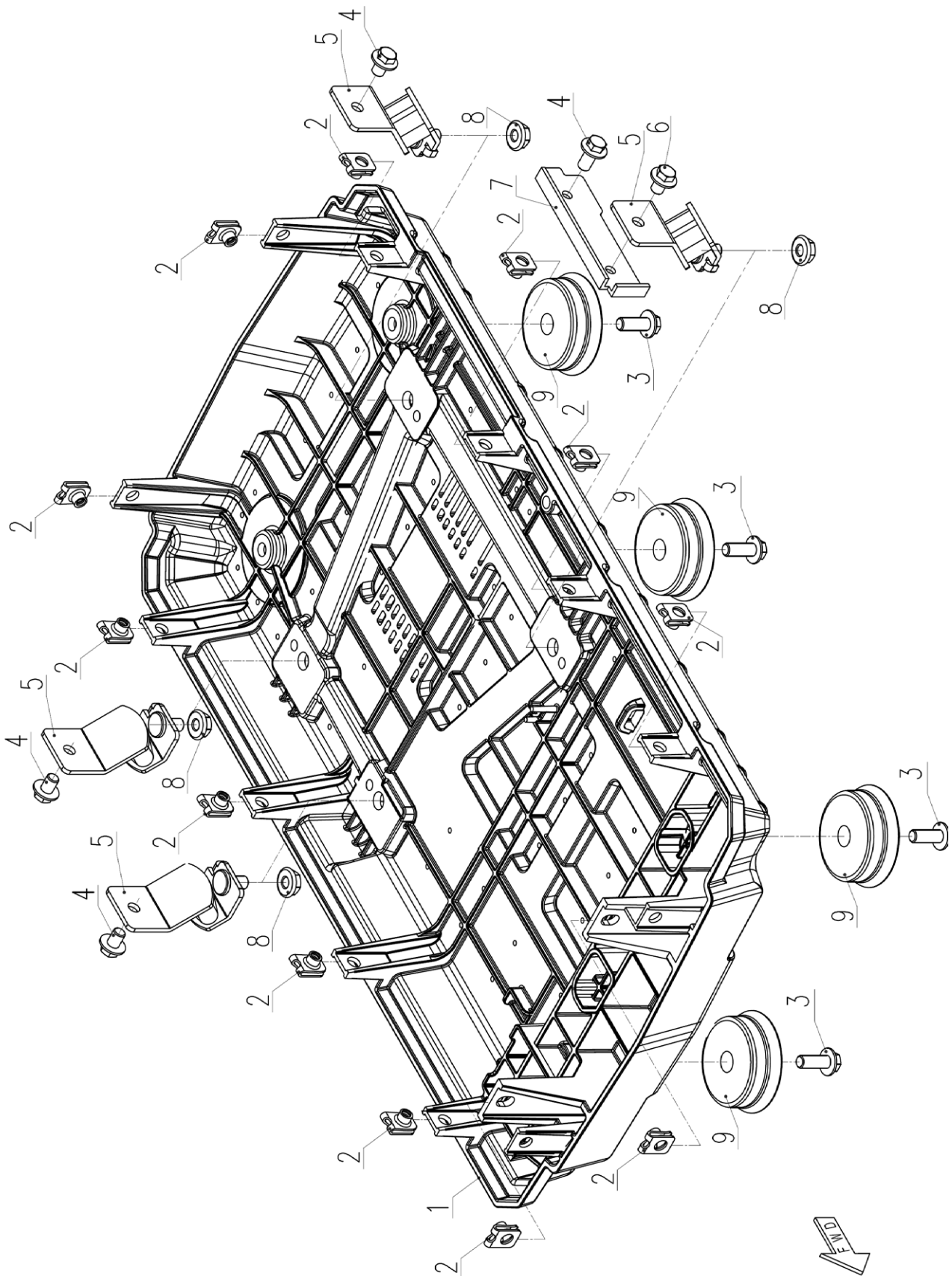
Sub-Assembly: Base Plate

Last Serial No:

Illustration: F39

Item	Description	Qty per Machine	Part Number
1	Base Plate	1	EP LH25i-393000
2	Clip Nut M5	12	EP LH1000i-381004
3	Flange Bolt M6x16	4	EP GB/T5789-1986 M6x16
4	Bolt M6x12	4	EP GB/T5789-1986 M6x12
5	Engine Support Seat	4	EP LH2000i-391000
6	Flange Bolt M6x8	1	EP GB/T5789-1986 M6x8
7	Connecting Plate (Left), Engine Support Seat	1	EP LH2000i-392000
8	Flange Nut M6	4	EP GB/T6177.1-2000 M6
9	Generator Support Foot	4	EP LH2000i-394000







Model: 2400i

Parts List Revision: 2016-08-25

First Serial No:

Sub-Assembly: Tool Kit

Last Serial No:

Illustration: F42

Item	Description	Qty per Machine	Part Number
1	Spark Plug Socket	1	EP LH2000i-420001
2	Screwdriver	1	EP LH2000i-420002
3	Oil Fill Bottle	1	EP LH1000i-420003
4	Instruction Manual	1	EP LH2000i-YH-02
5	Generator Storage Cover	1	EP LH25i-420004

